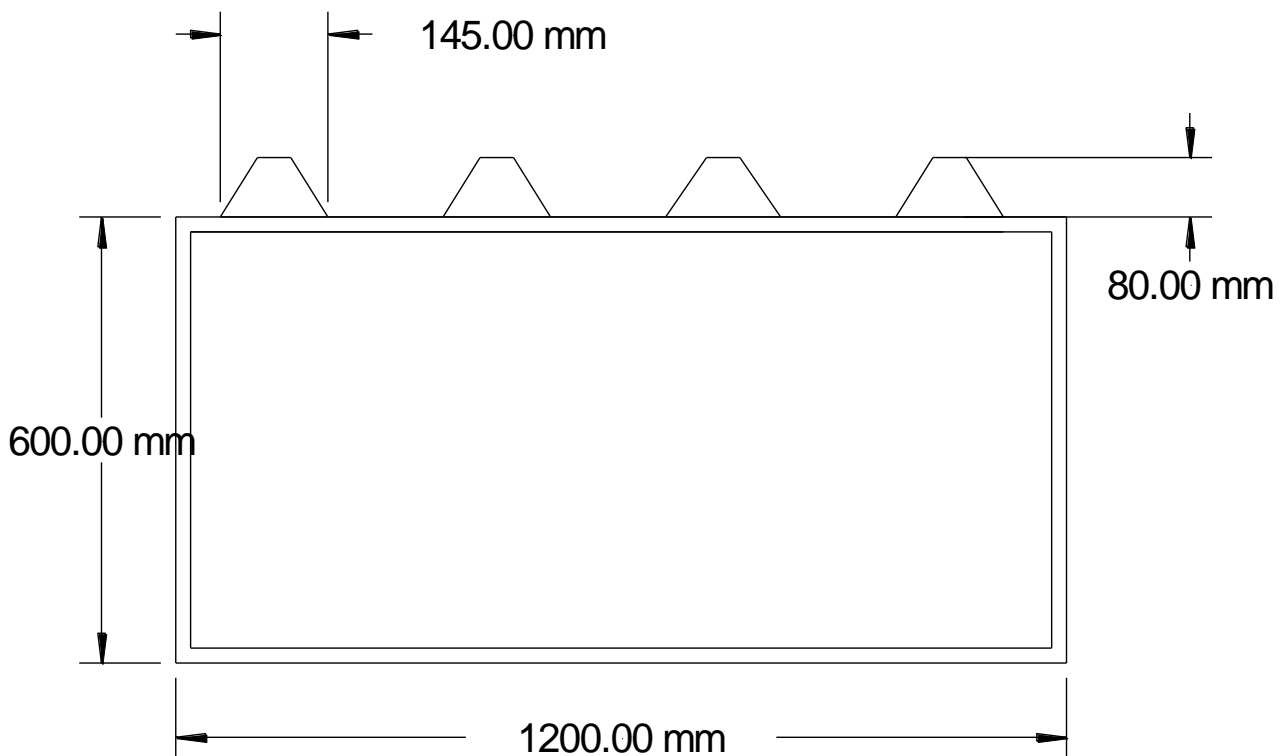
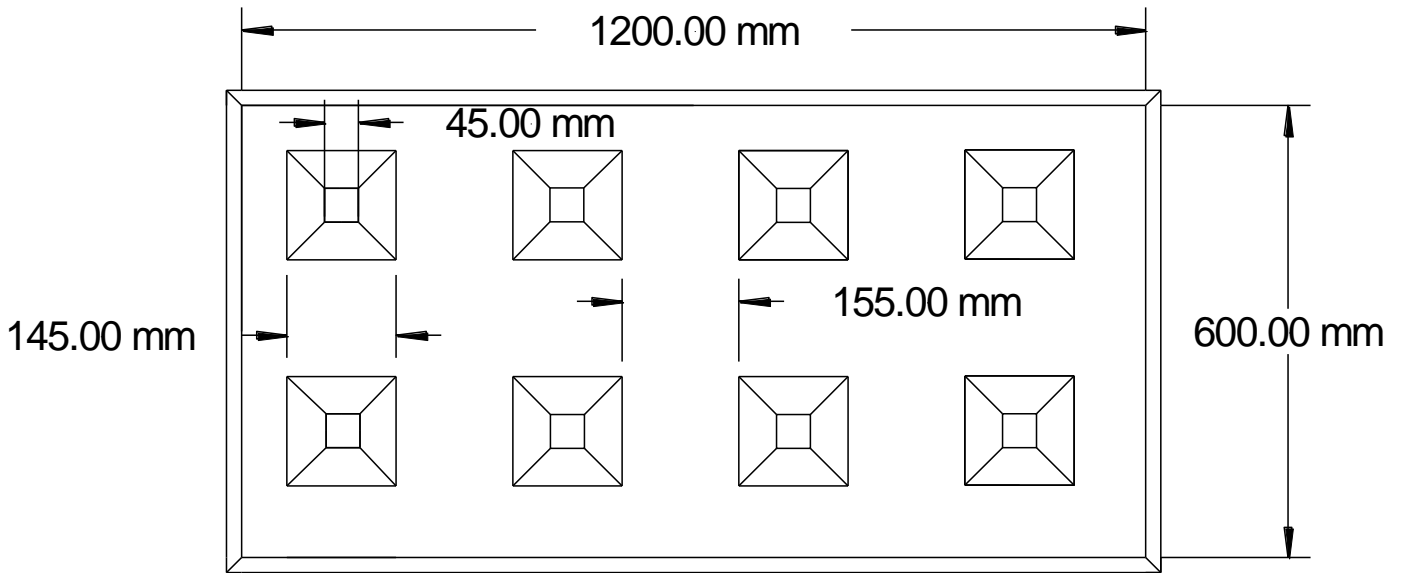


JORDAN

CONCRETE LTD



Product code: LB101

Description: 1200mm x 600mm

Weight: 1036kg approx.