

Product code:201

Description: Standard Cill

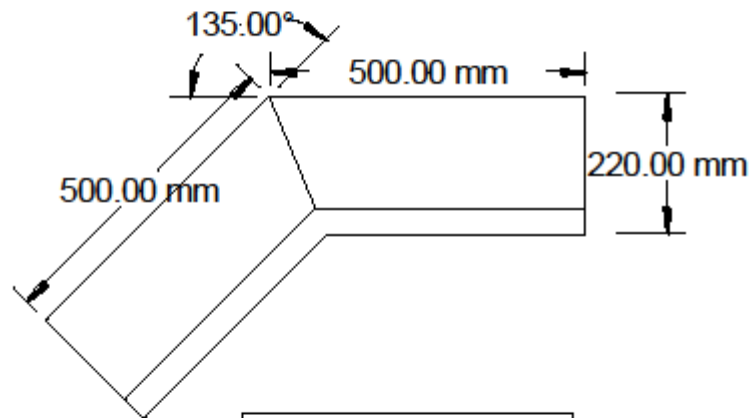
Dimensions: 220mm x 65/45mm

Weight: 27kg/m approx.

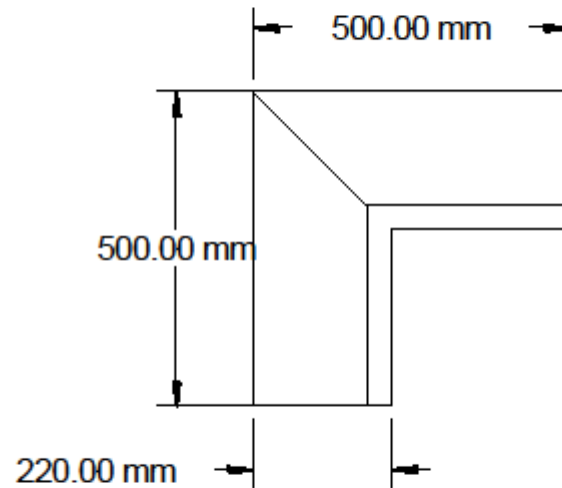
Stock Item

Max length 2550mm

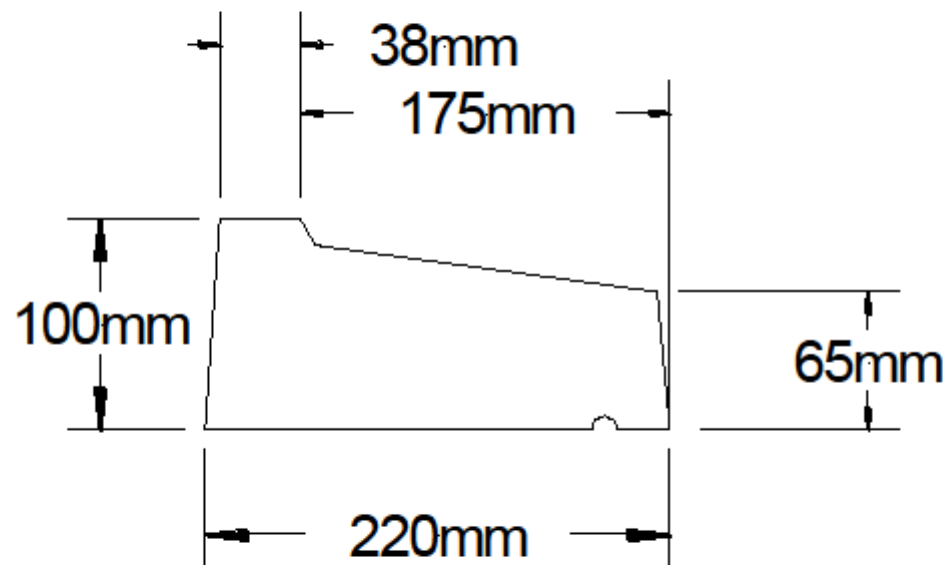
To suit 100mm outer skin



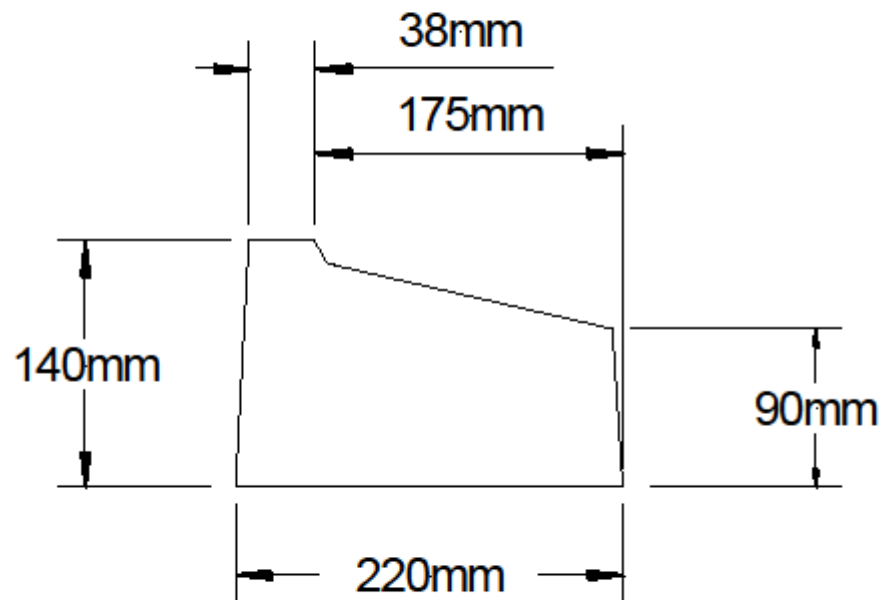
Product code: 221
Dimensions: 500mm x 500mm
Description: 90° Corner for 90mm front cill
Weight: 60kg approx



Product code: 222
Dimensions: 500mm x 500mm
Description: 135° Corner for 90mm front cill
Weight: 60kg approx



Product code: 202
Description: 65mm Front Cill
Dimensions: 220mm x 100/65mm
Weight: 40kg/m approx.
Made to order
Max length 2550mm
To suit 100mm outer skin



Product code 203

Description: 90mm Front Cill

Dimensions: 220mm x 140mm x 90mm

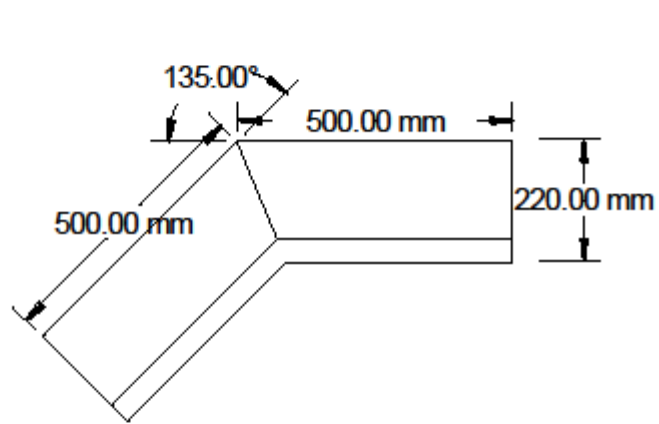
Weight: 63kg/m approx.

Stock item

Max length 3000mm

To Suit 100mm outer skin

JORDAN CONCRETE LTD

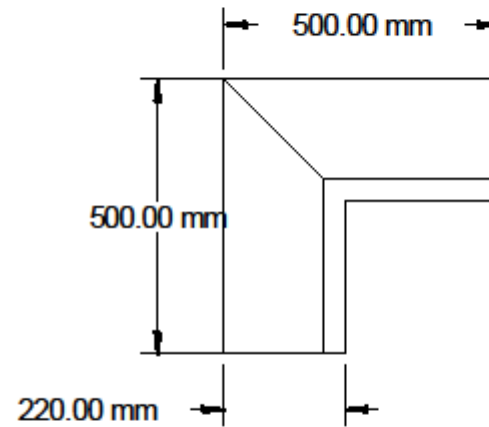


Product code: 223

Dimensions: 500mm x 500mm

Description: 90° Corner for 90mm std cills

Weight: 25kg/m approx

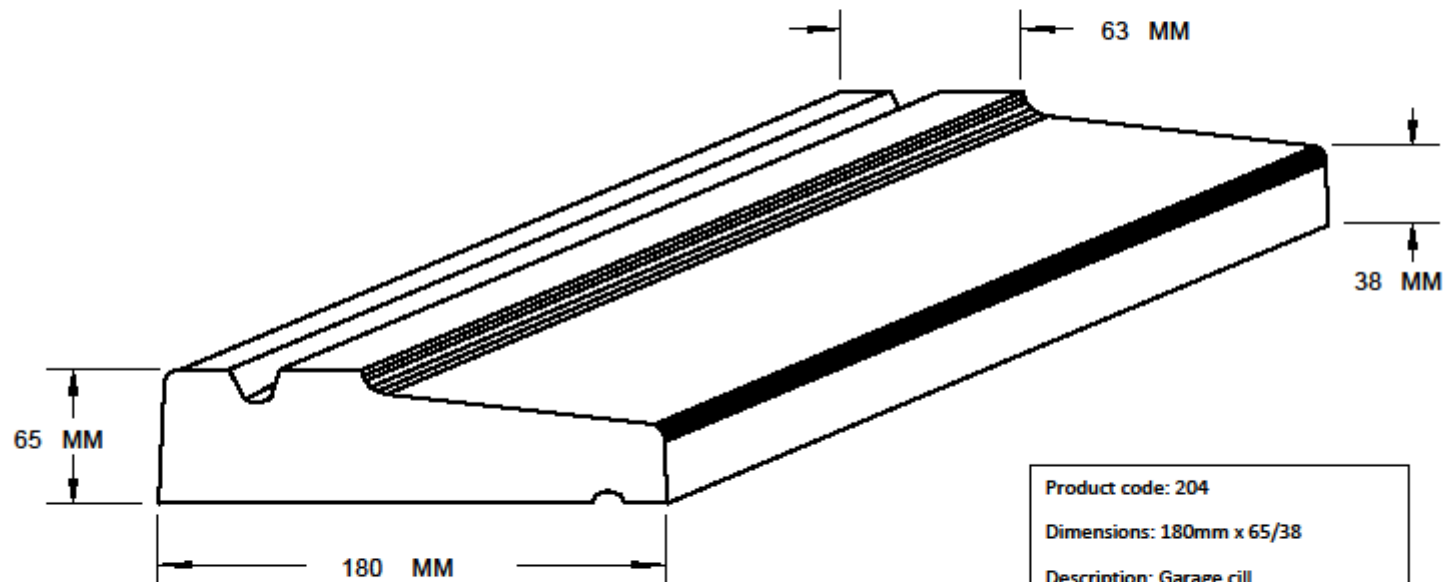


Product code: 224

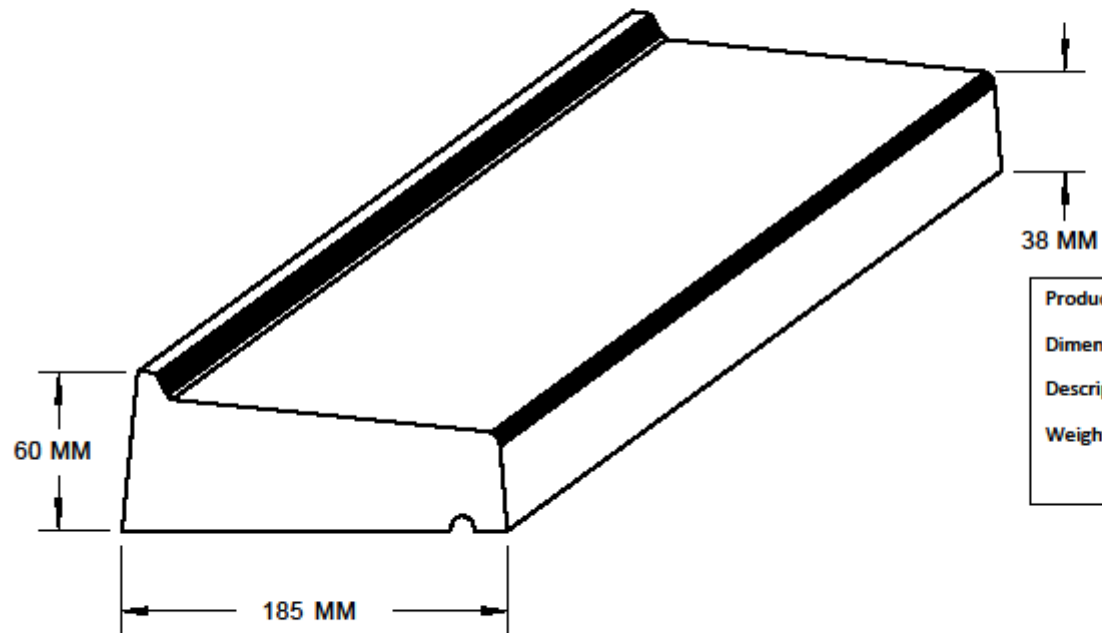
Dimensions: 500mm x 500mm

Description: 135° Corner for 90mm std cills

Weight: 25kg/m approx



Product code: 204
Dimensions: 180mm x 65/38
Description: Garage cill
Weight: 23kg/m approx

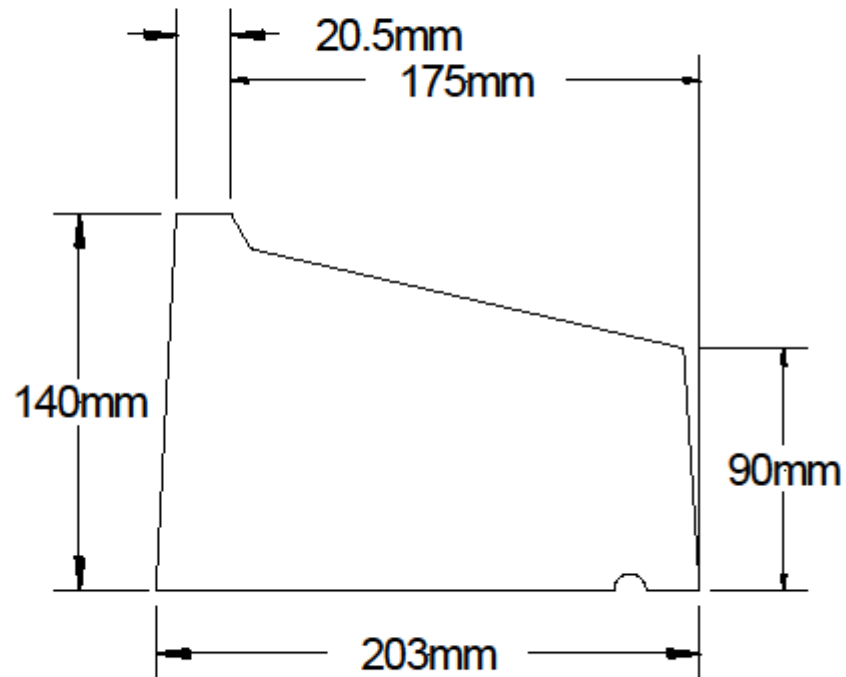


Product code: 205

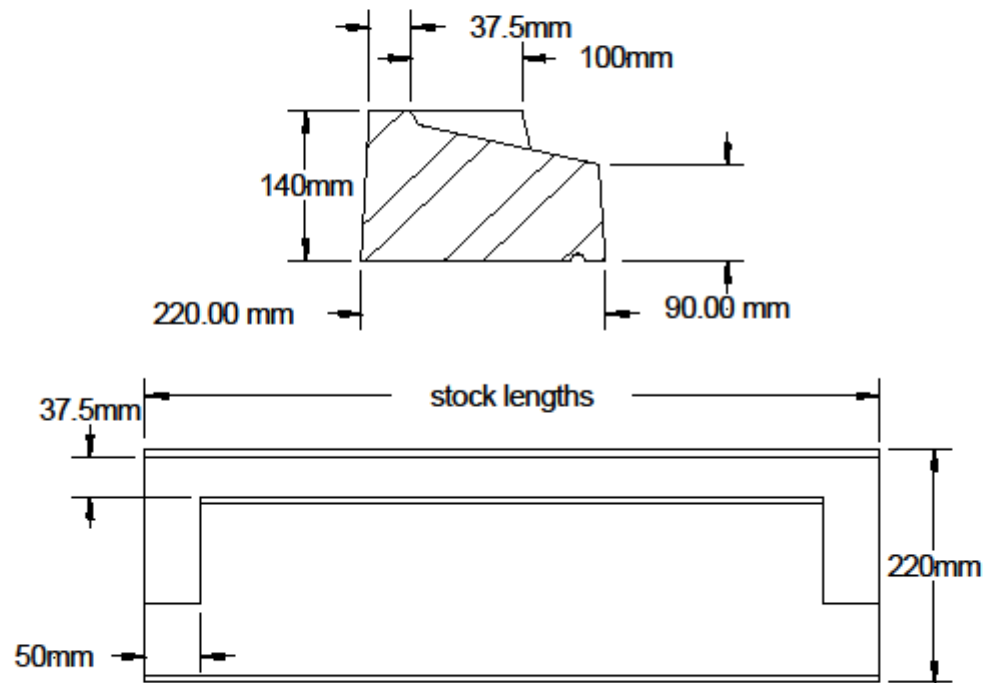
Dimensions: 185mm x 60/38mm

Description: Timber frame cills

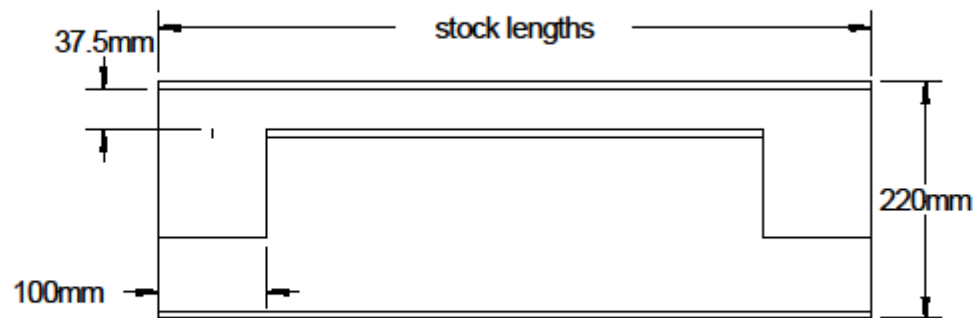
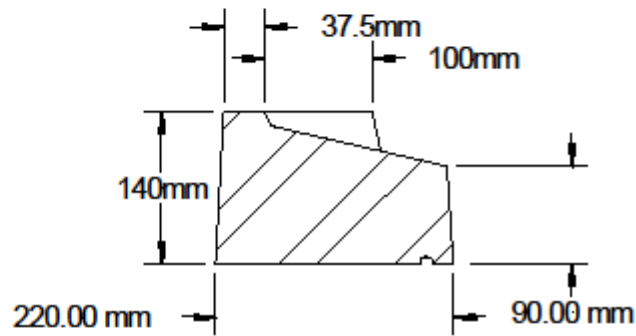
Weight: 19kg/m approx



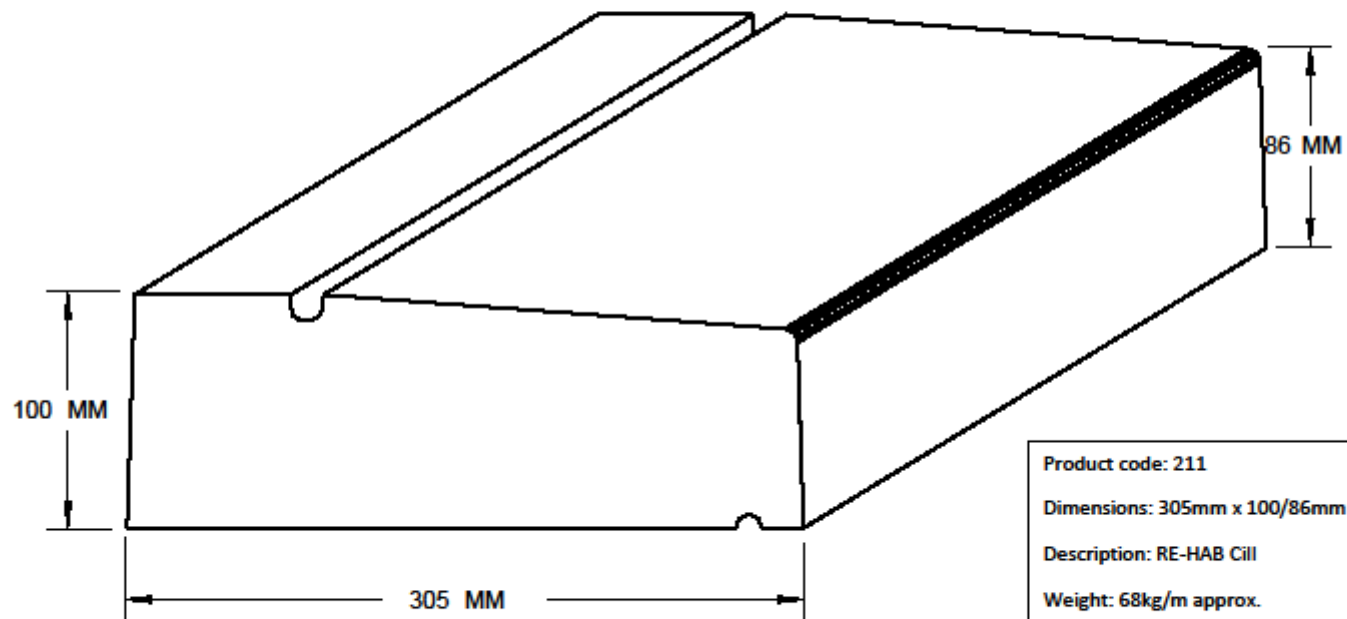
Product code 205D
Description: Heavy Timberframe Cill
Dimensions: 203mm x 140mm x 90mm
Weight: 58kg/m approx.
Made to order
Max length 2550mm
To Suit 100mm outer skin



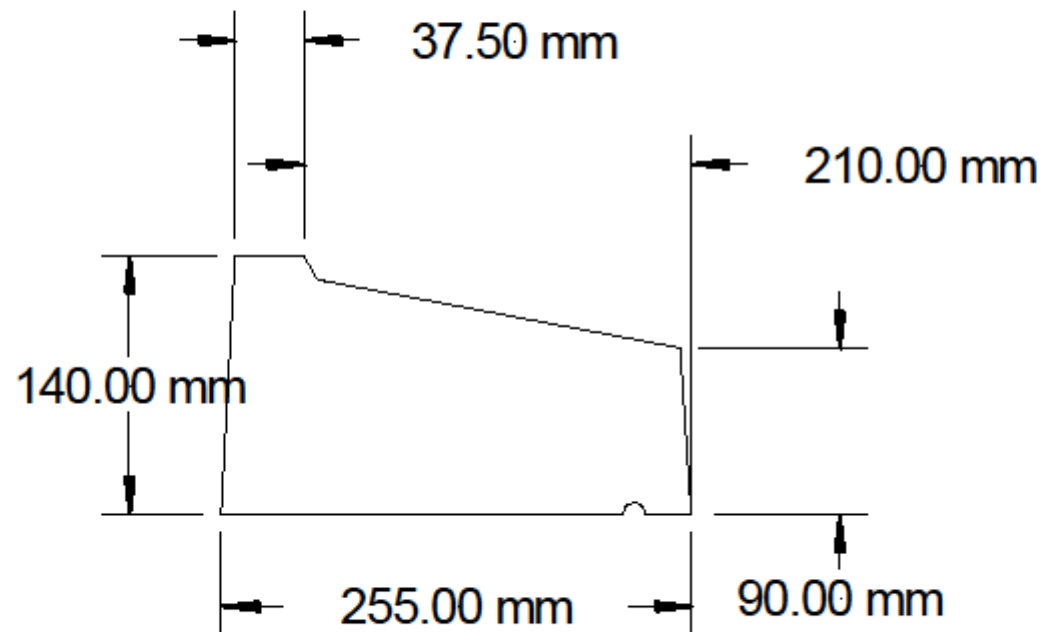
Product code: 206
Dimensions: 50mm stooled cills
Description: 220mm x 140mm/90mm
Weight: 60kg/m approx.



Product code: 207
Dimensions: 220mm x 140/90mm
Description: 100mm stooped cills
Weight: 60kg/m approx.



Product code: 211
Dimensions: 305mm x 100/86mm
Description: RE-HAB Cill
Weight: 68kg/m approx.



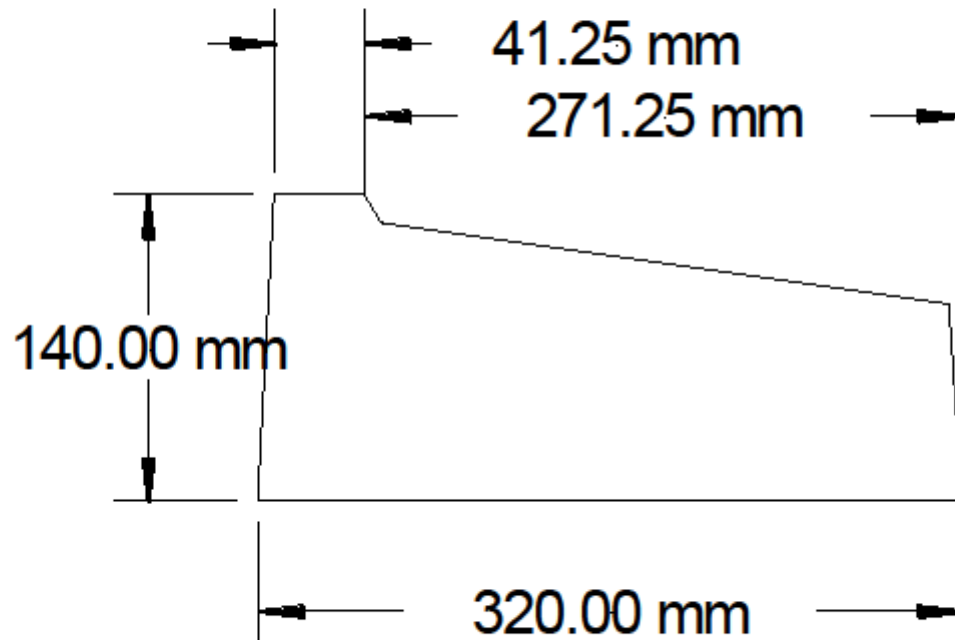
Product code 212

Description: Misc Cill
255 x 140 x 90

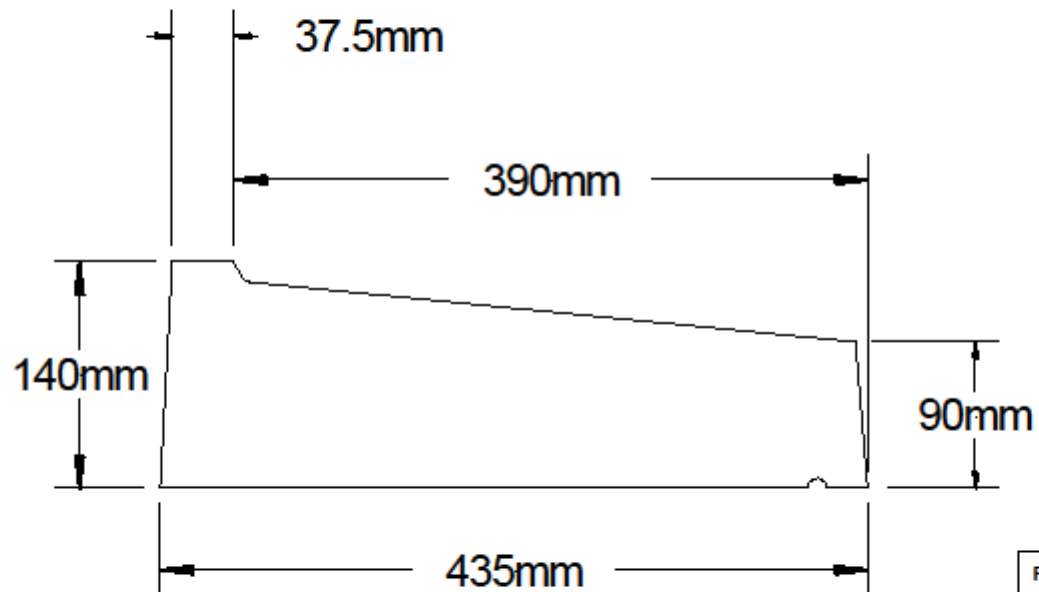
Max length 2550mm

Weight: 77Kg/m Approx

Stock Item



Product code 213
Description: Misc Gill
Dimensions: 320mm x
140mm/90mm
Weight 88kg approx.
Stock items



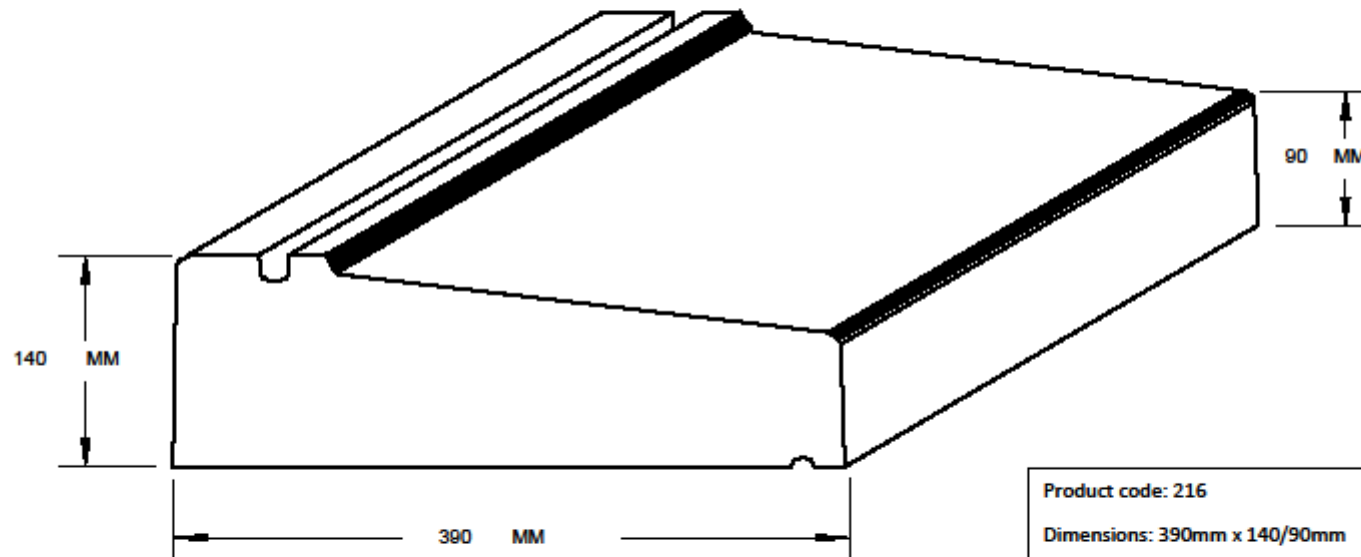
Product code: 214

Description: Misc cill

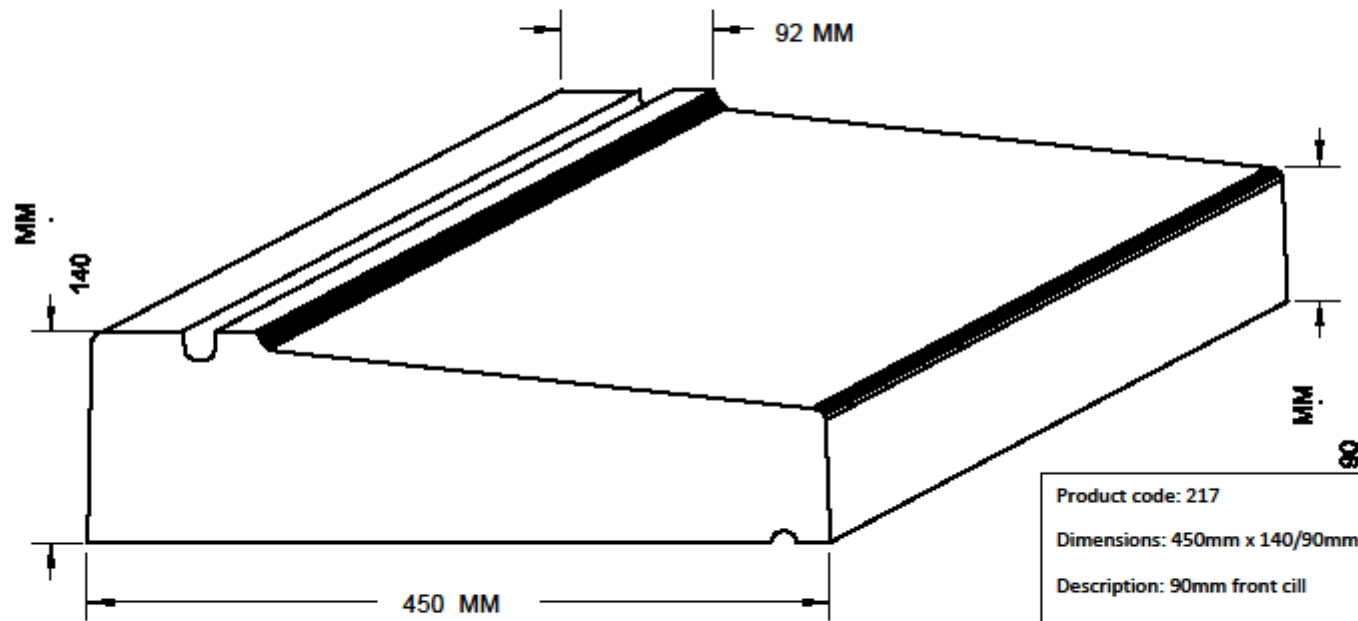
Dimensions: 435mm x 140/90mm

Weight: 120kg approx

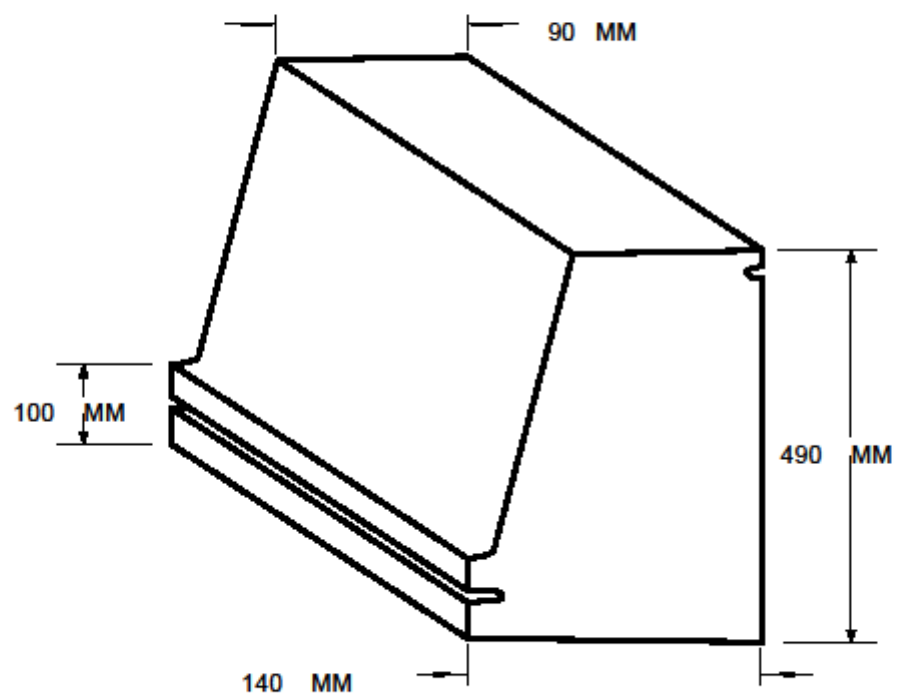
Stock items



Product code: 216
Dimensions: 390mm x 140/90mm
Description: misc cill
Weight: 107kg/m approx.



Product code: 217
Dimensions: 450mm x 140/90mm
Description: 90mm front cill
Weight: 124kg/m approx



Product code: 218
Dimensions: 490mm x 140/90mm
Description: misc cill
Weight: 135kg/m approx