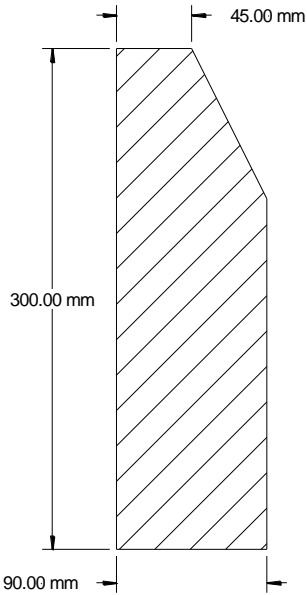
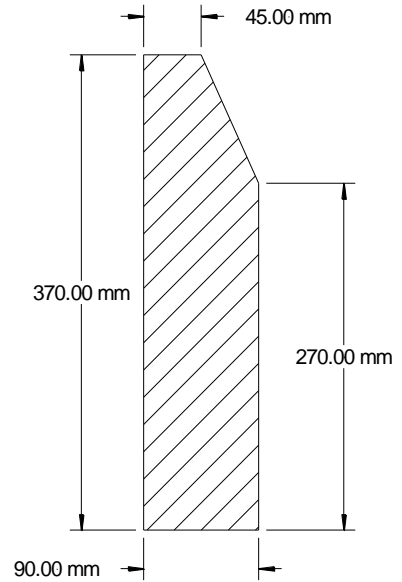


JORDAN

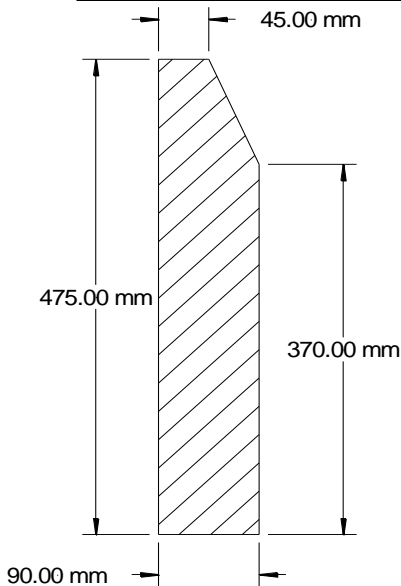
CONCRETE LTD



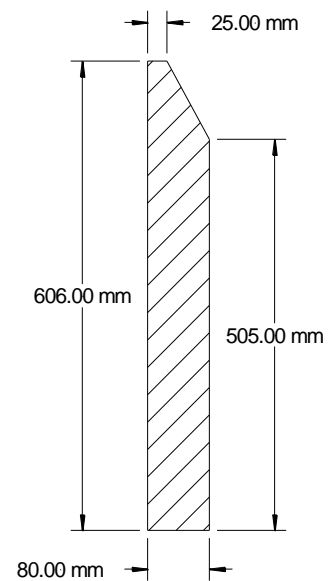
Product code: 560
 Description: 300mm Dwarf wall
 Dimensions: 90mm x 300mm x 915mm
 Weight: 55kg approx.



Product code: 561
 Description: 370mm Dwarf wall
 Dimensions: 90mm x 370mm x 915mm
 Weight: 70kg approx.



Product code: 562
 Description: 475mm Dwarf Wall
 Dimensions: 90mm x 475mm x 915mm
 Weight: 90kg approx.



Product code: 563
 Description: 660mm Dwarf wall
 Dimensions: 90mm x 660mm x 915mm
 Weight: 100kg approx.