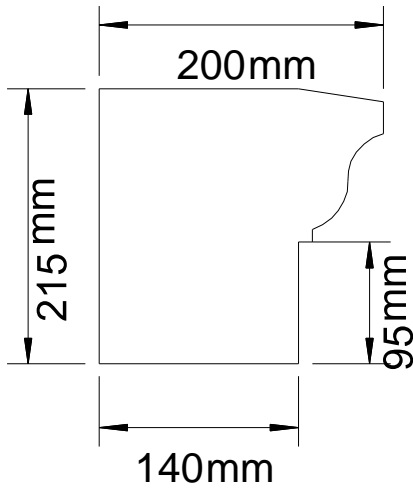


JORDAN

CONCRETE LTD

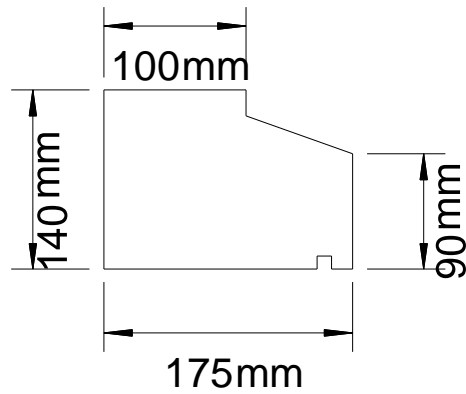


Product code: 938215D

Dimensions: 215mm x 140mm/200mm x 915mm long

Description: 215mm Decorative

Weight: 80kg approx

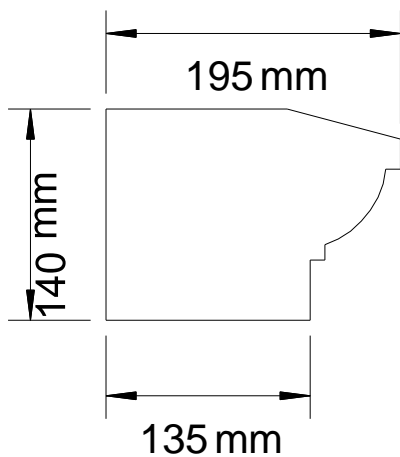


Product code: 938CL

Dimensions: 140mm x 175mm x 90mm x 915mm long

Description: 140mm Cill line

Weight: 50kg approx

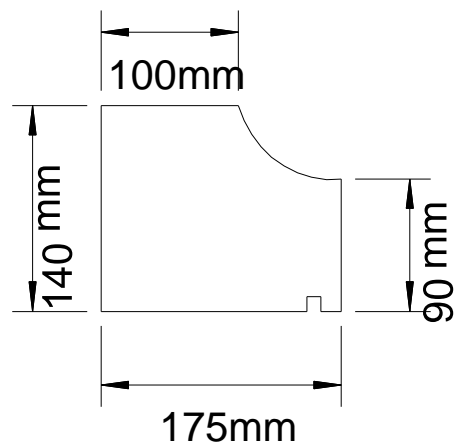


Product code: 938140D

Dimensions: 140mm x 195mm x 135mm x 915mm long

Description: 140mm Decorative

Weight: 50kg approx



Product code: 938SL

Dimensions: 140mm x 100mm x 175mm x 90mm

Description: 140mm stool line

Weight: 50kg approx

String Course internal and external corners

