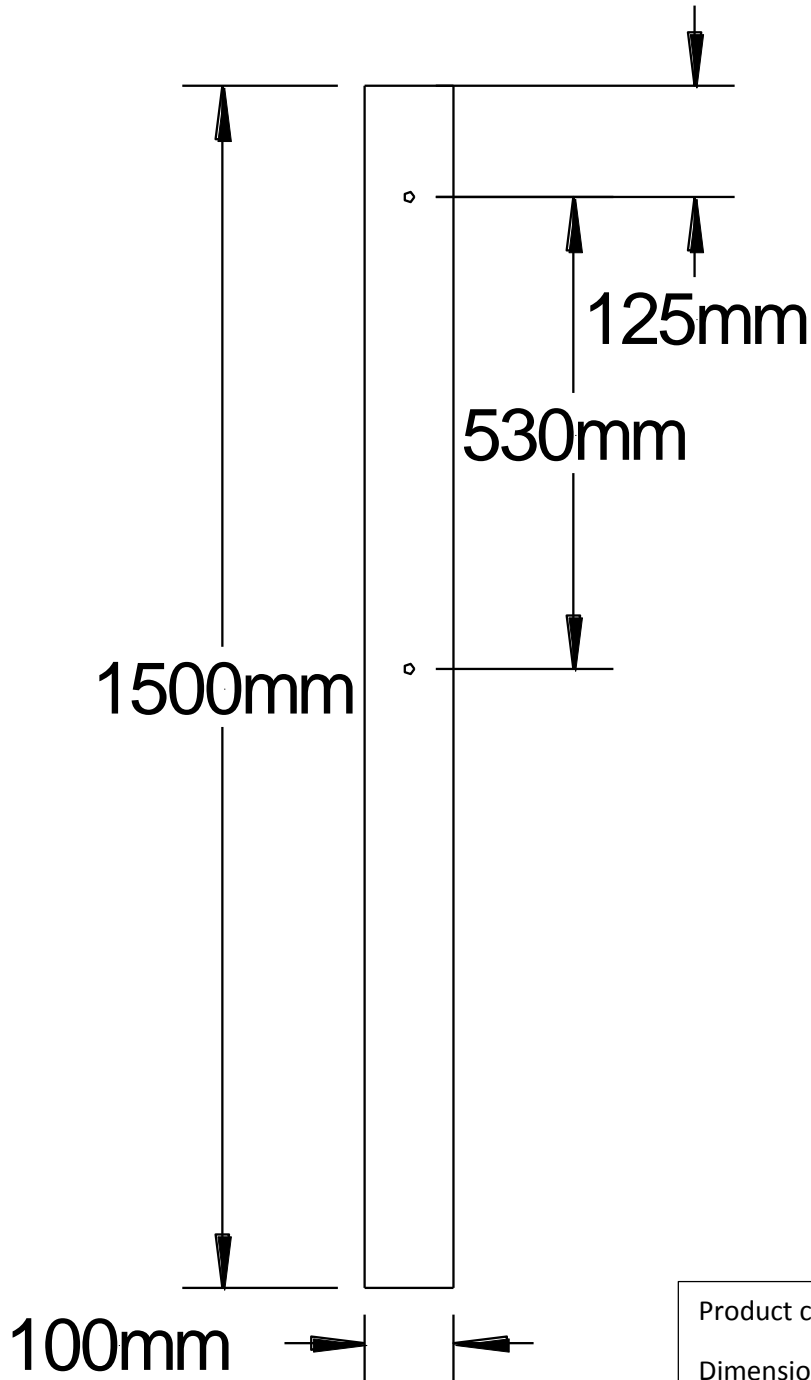


JORDAN

CONCRETE LTD



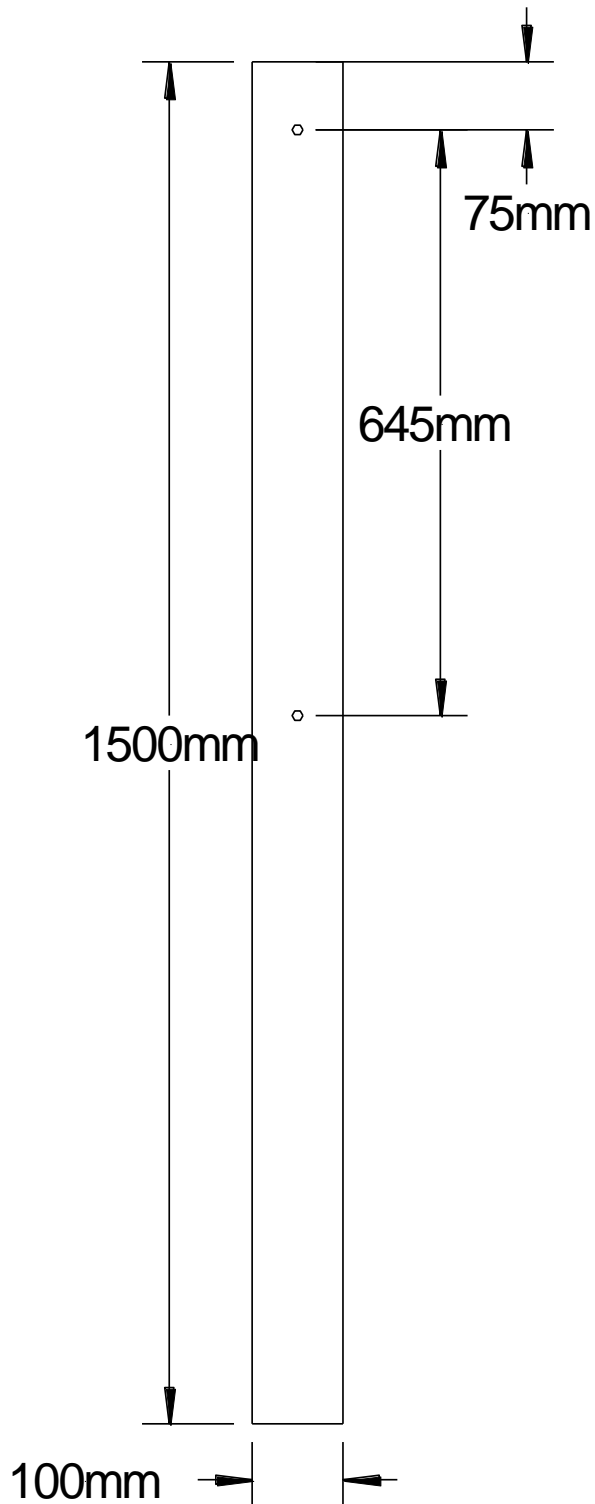
Product code: 753

Dimensions: 100mm x 100mm x
1350mm

Description: posts for timber fencing

Weight: 35kg approx

JORDAN CONCRETE LTD

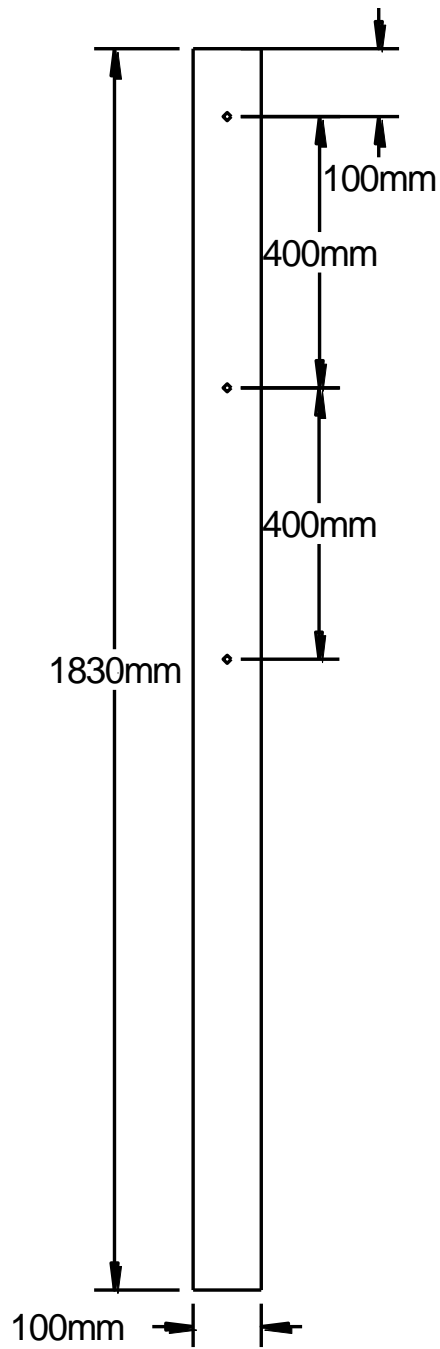


Product code: 755

Dimensions: 100mm x 100mm x
1500mm

Description: post for timber fencing

Weight: 37kg



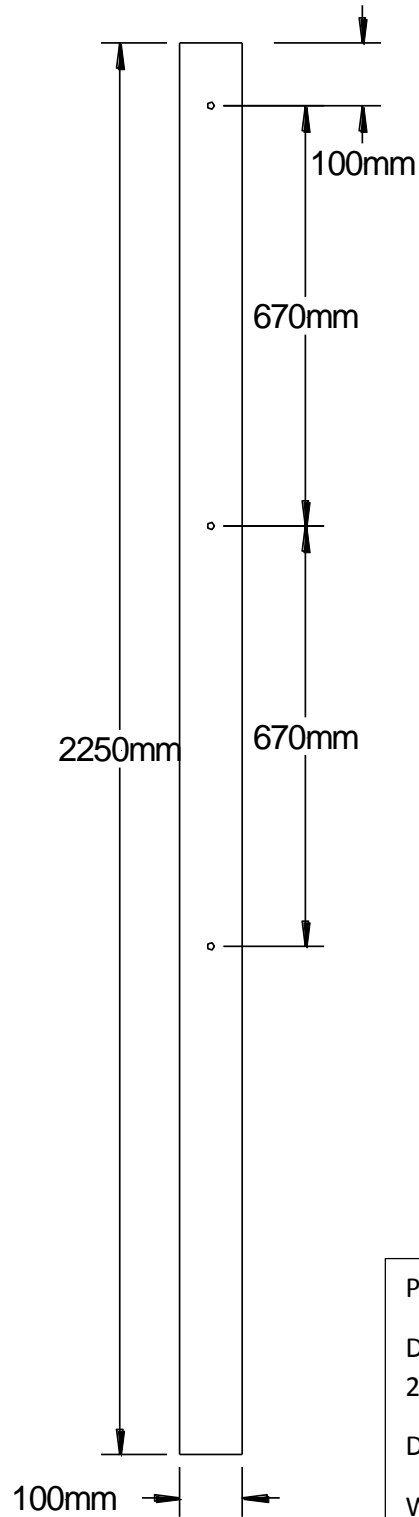
Product code: 758

Dimensions: 100mm x 100mm x 1830mm

Description: posts for timber fencing

Weight: 45kg approx

JORDAN CONCRETE LTD



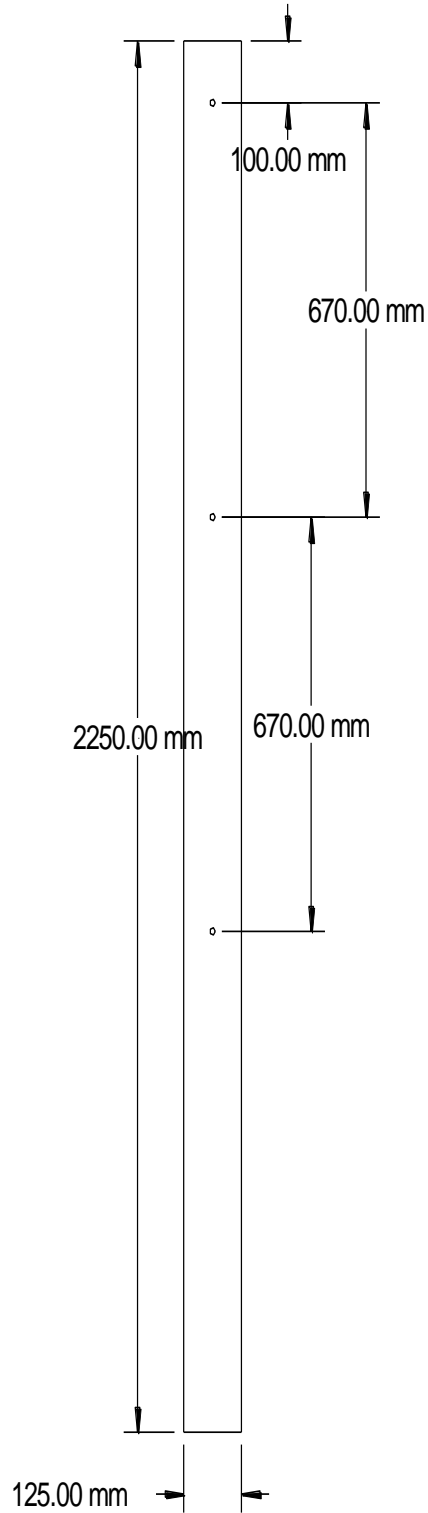
Product code: 760

Dimensions: 100mm x 100mm x
2250mm

Description: post for timber fencing

Weight: 55kg approx

JORDAN CONCRETE LTD

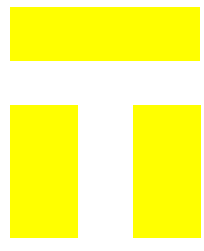


Product code: 762

Dimensions: 125mm x 125mm x
2250mm

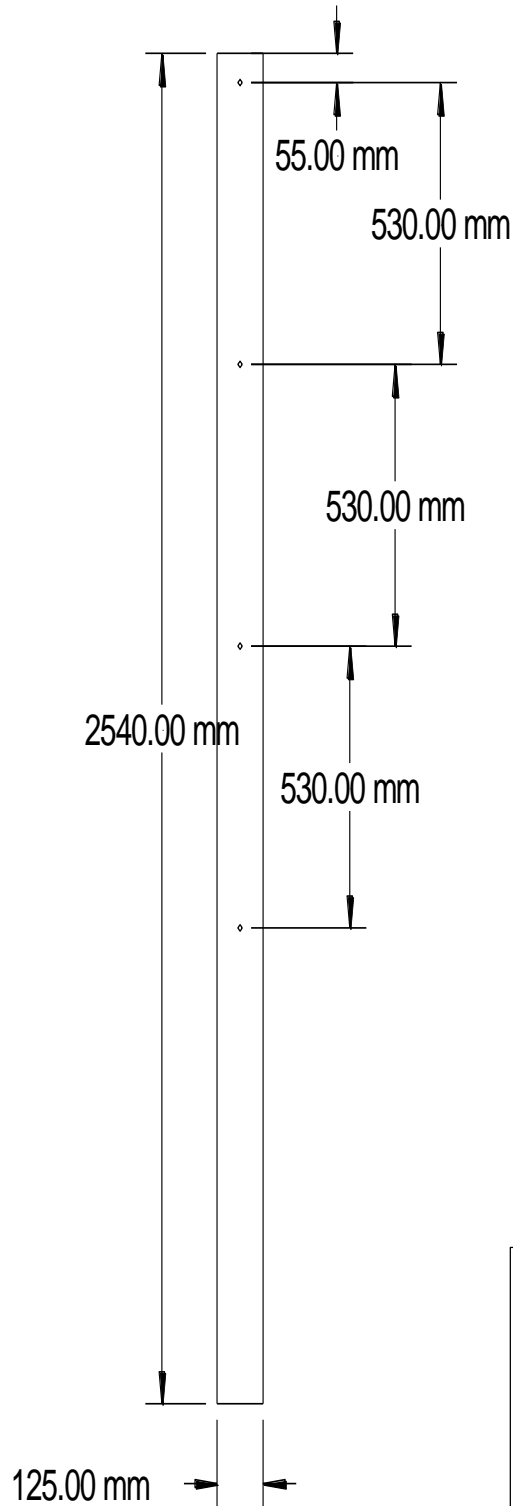
Description: post for timber fencing

Weight: 85kg approx



JORDAN

CONCRETE LTD

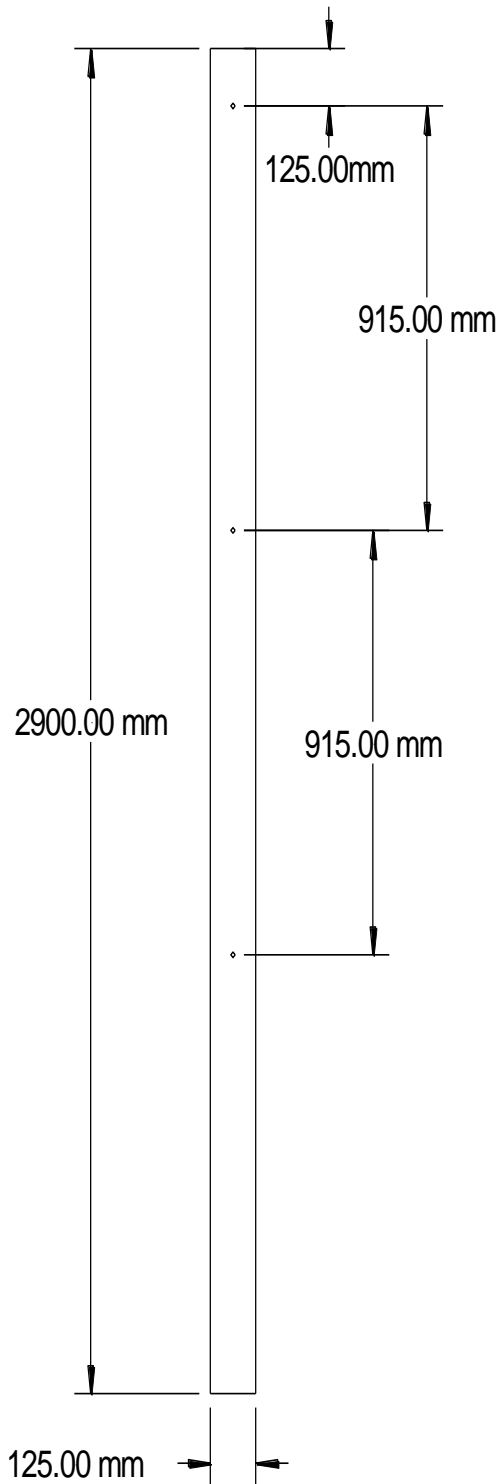


Product code: 764

Dimensions: 125mm x 125mm x
2590mm

Description: post for timber fencing

Weight: 100kg approx.



Product code: 766

Dimensions: 125mm x 125mm x
2900mm

Description: post for timber fencing

Weight: 110kg approx