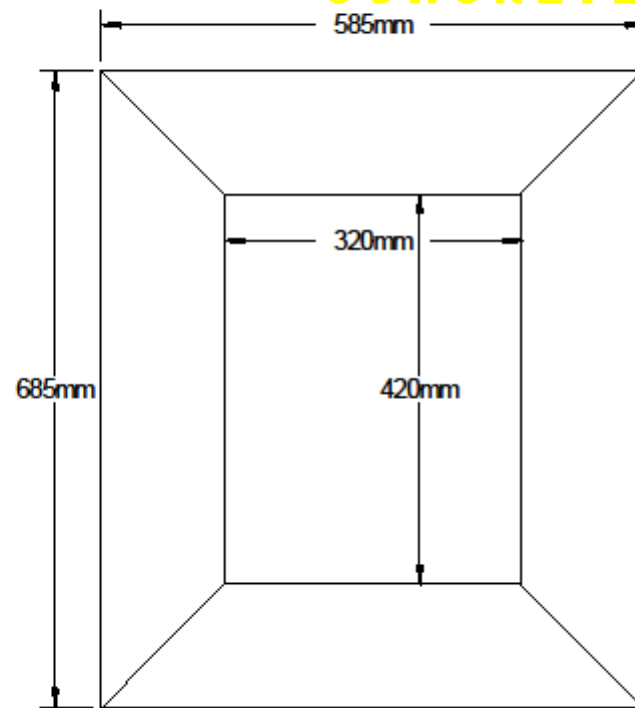
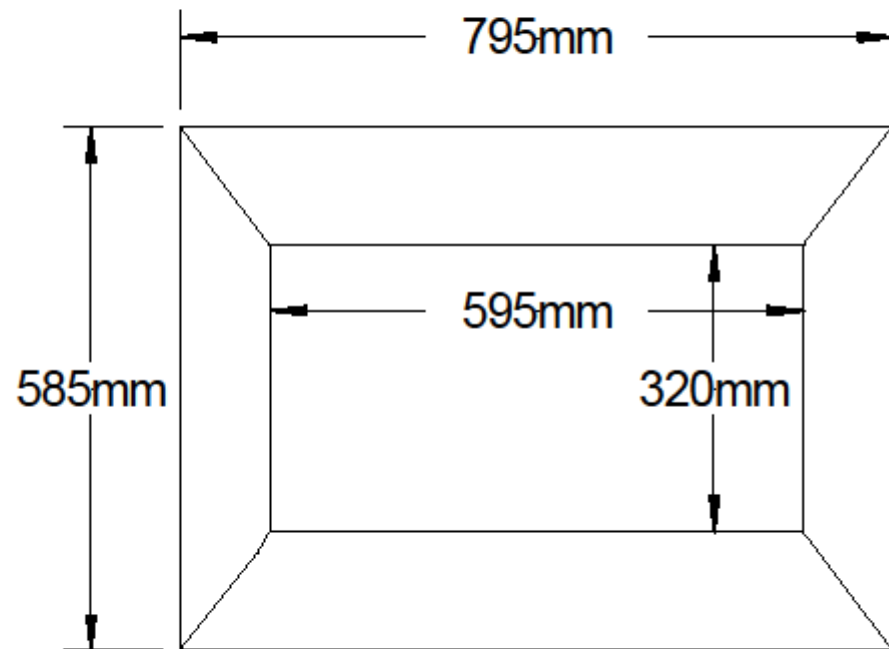


Product code: 801
Dimensions: 585mm x 585mm
Description: chimney caps,
To suit 2B x 2B



Product code: 802
Dimensions: 585mm x 685mm
Description: chimney cap
To suit 2B x 2 1/2B

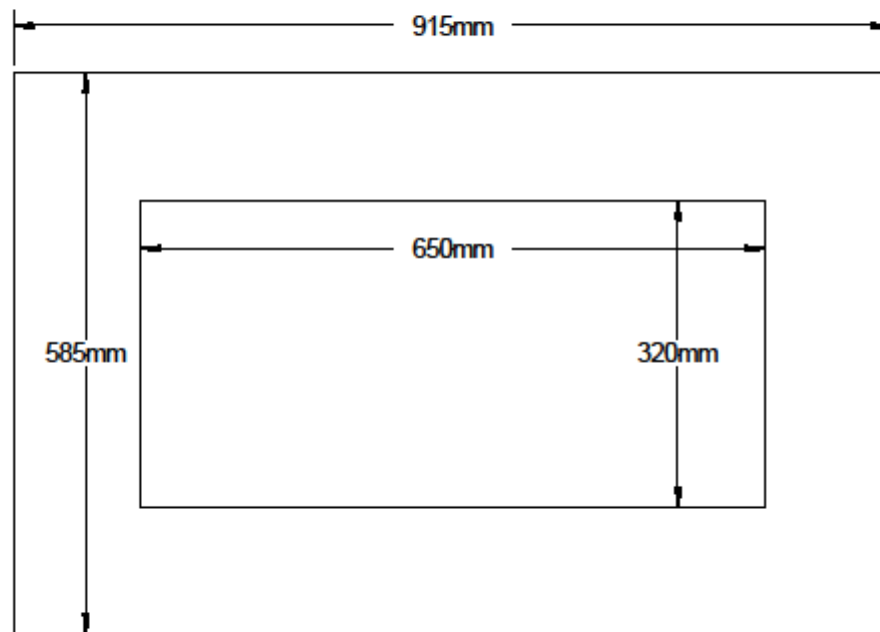


Product code: 803

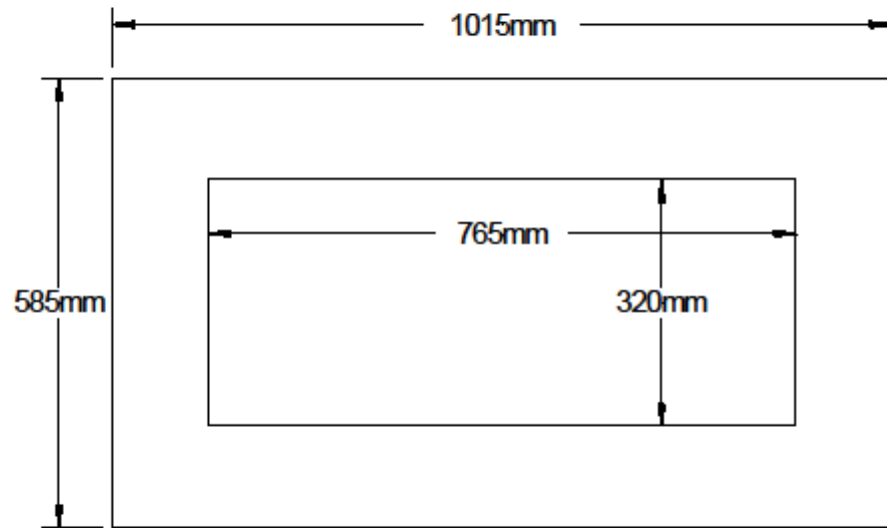
Dimensions: 585mm x 795mm

Description: chimney caps

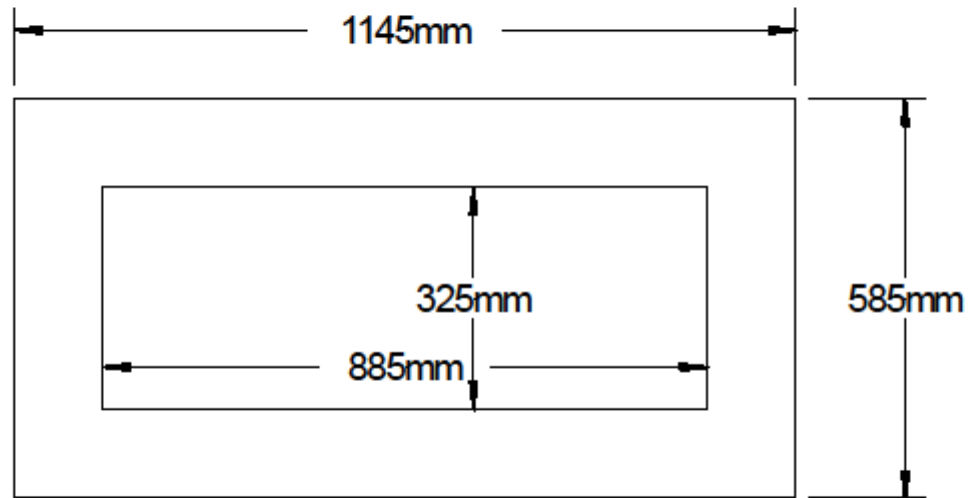
To Suit 2B x 3B



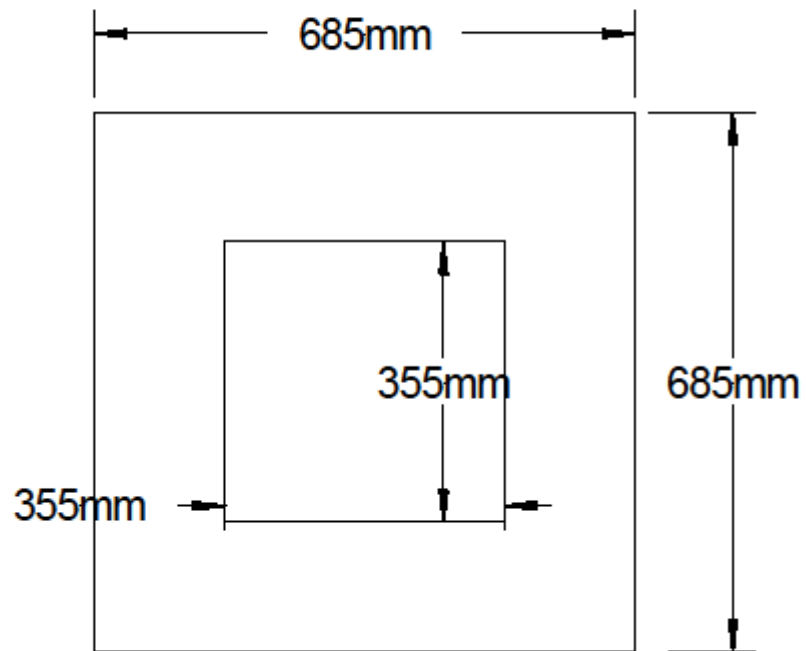
Product code: 804
Dimensions: 585mm x 915mm
Description: chimney cap
To suit 2B x 3 ½ B



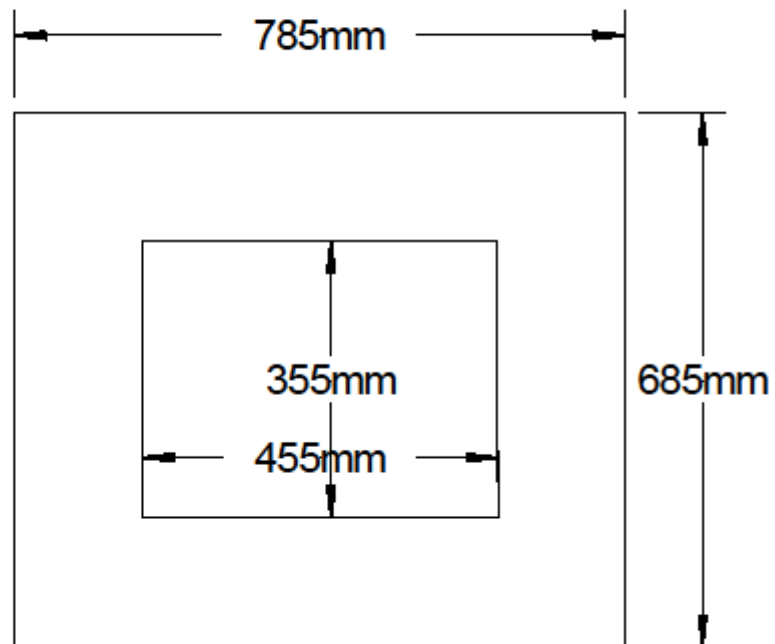
Product code: 805
Dimensions: 585mm x 1015mm
Description: chimney cap
To suit 2B x 4B



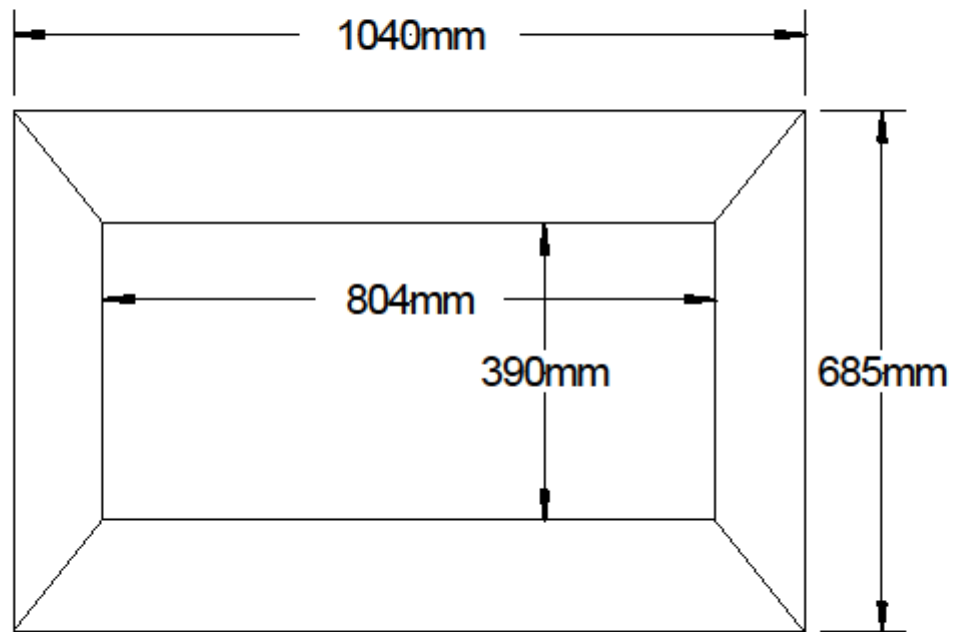
Product code: 806
Dimensions: 585mm x 1145mm
Description: chimney cap
To suit a 2B x 2 1/4B



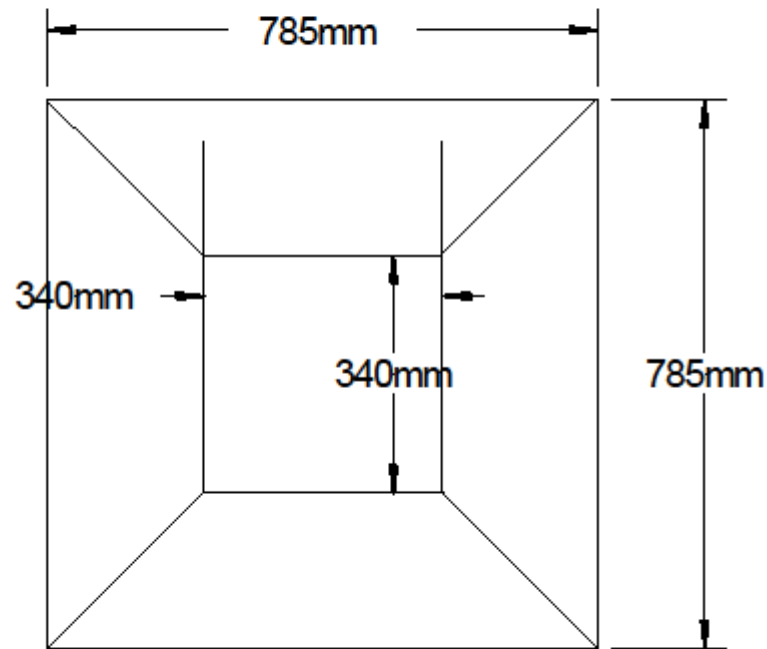
Product code: 807
Dimensions: 685mm x 685mm
Description: chimney caps
To suit a 2 1/8" x 2 1/8"



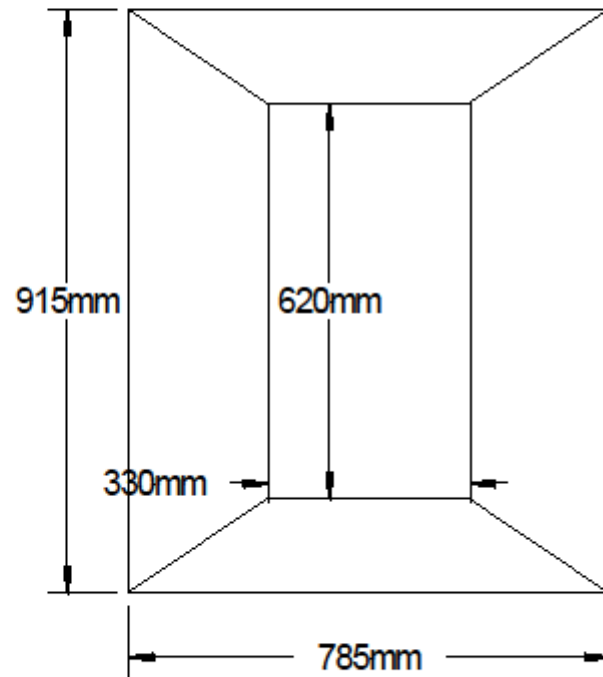
Product code: 808
Dimensions: 685mm x 785mm
Description: chimney cap
To suit a 2 1/8 x 3B



Product code: 810
Dimensions: 685mm x 1040mm
Description: chimney caps
To suit a 2 1/8 x 48



Product code: 811
Dimensions: 785mm x 785mm
Description: chimney caps
To suit a 3B x 3B



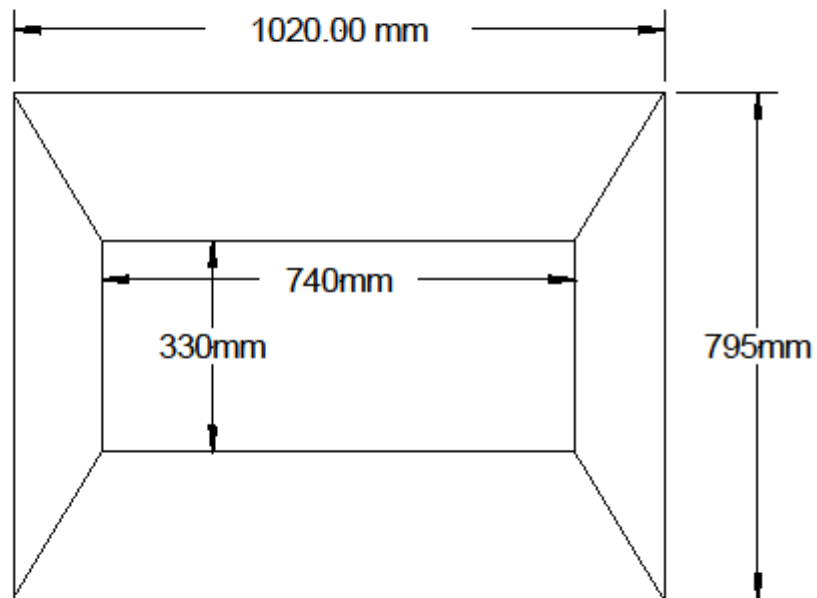
Product code: 812

Description: chimney caps

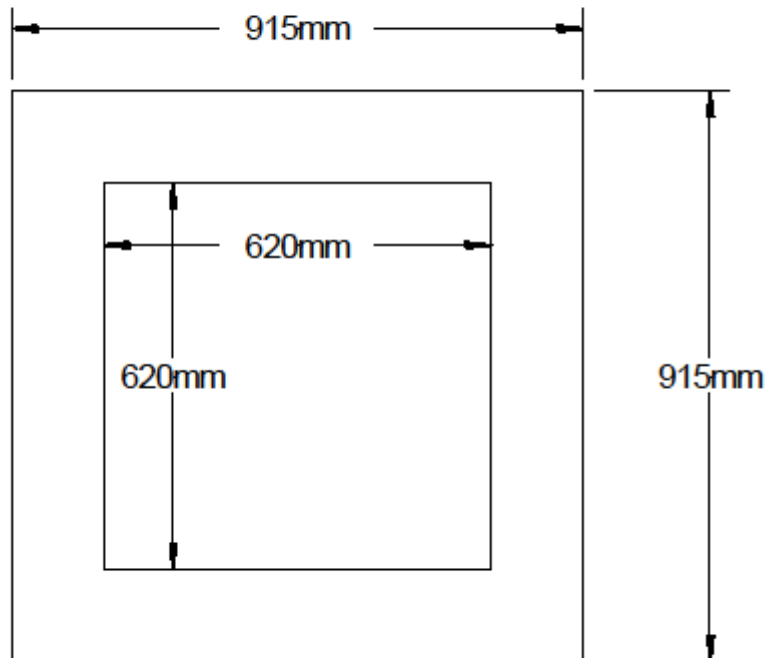
Dimensions: 685mm x 915mm

To suit 3B x 3 1/2B

Stock items



Product code: 813
Dimensions: 795mm x 1020mm
Description: chimney cap
To suit a 3 1/8 x 48



Product code: 814
Dimensions: 915mm x 915mm
Description: chimney cap
To suit a 3 ½B x 3 ½B