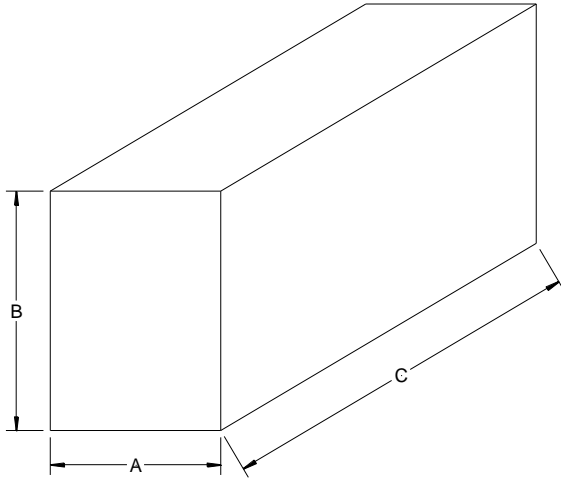


JORDAN

CONCRETE LTD



| Product code | A | B | C | | WEIGHT Approx |
|--------------|-------|-------|-------|-------|---------------|
| 141 | 100mm | 140mm | 215mm | MTO | 7kg |
| 142 | 100mm | 140mm | 305mm | STOCK | 10kg |
| 143 | 100mm | 140mm | 440mm | STOCK | 15kg |
| 144 | 100mm | 140mm | 305mm | MTO | 10kg |
| 145 | 140mm | 140mm | 440mm | MTO | 21kg |
| 146 | 100mm | 215mm | 305mm | STOCK | 16kg |
| 147 | 100mm | 215mm | 440mm | STOCK | 23kg |
| 148 | 140mm | 215mm | 305mm | MTO | 22kg |
| 149 | 140mm | 215mm | 440mm | MTO | 32kg |
| 150 | 215mm | 215mm | 440mm | MTO | 49kg |
| 151 | 215mm | 215mm | 100mm | STOCK | 11kg |