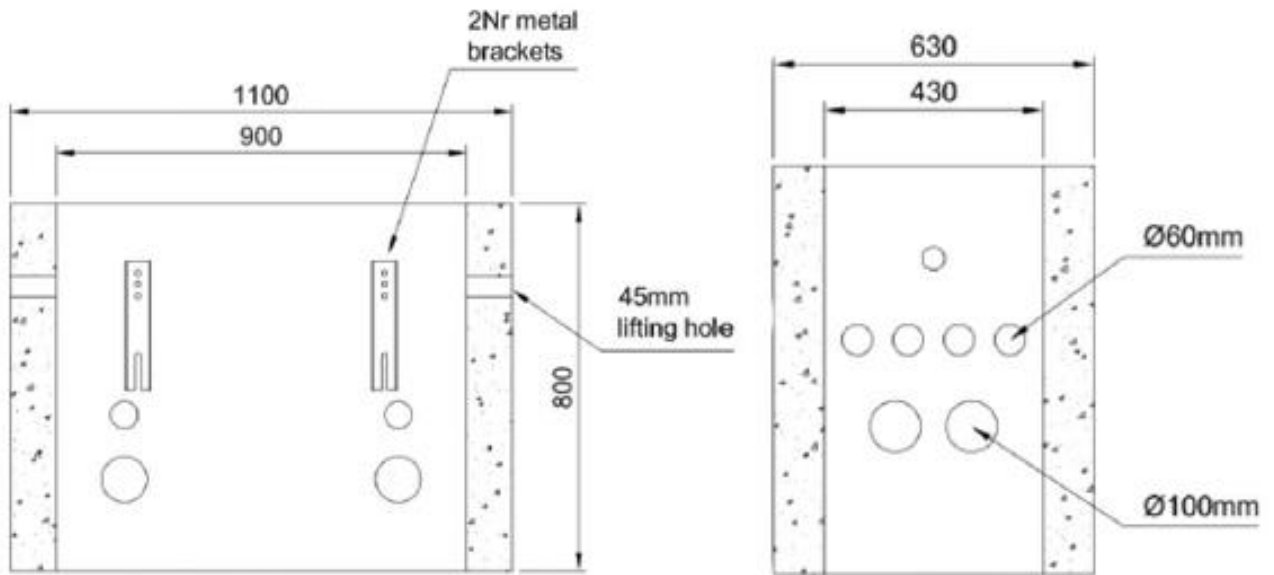


JORDAN CONCRETE LTD



Product code: 440

Dimensions: 910mm x 440mm x 800mm

Description: BT Communication Box

Weight: 600kg approx