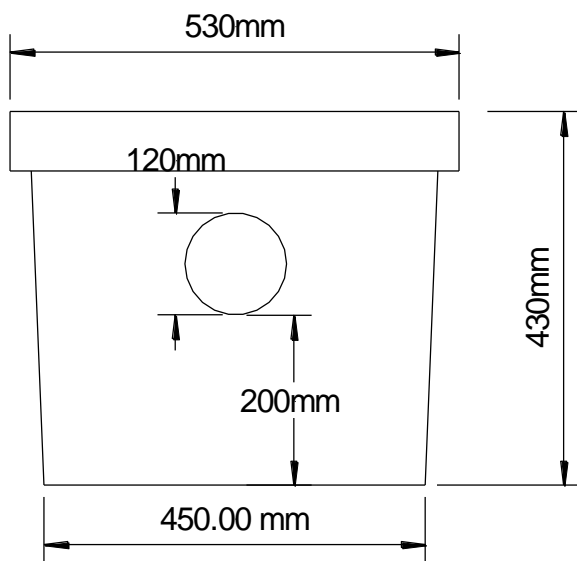
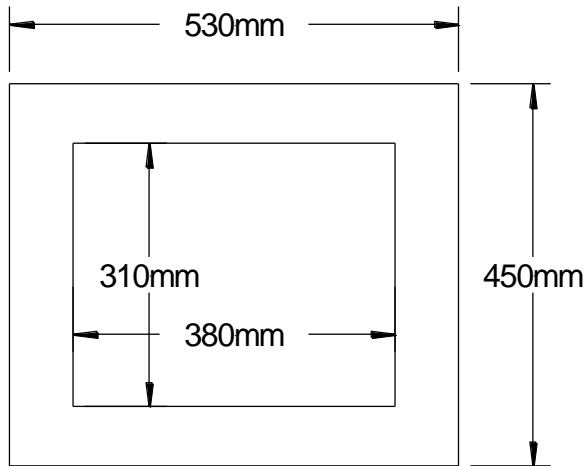


Product code: 432  
Dimensions: 480mm x 530mm x 800mm  
Description: Standard Gully box  
Weight: 180kg approx

# JORDAN CONCRETE LTD



Product code: 434

Dimensions: 530mm x 450mm x 430mm

Description: Silt box

Weight: 120kg approx

