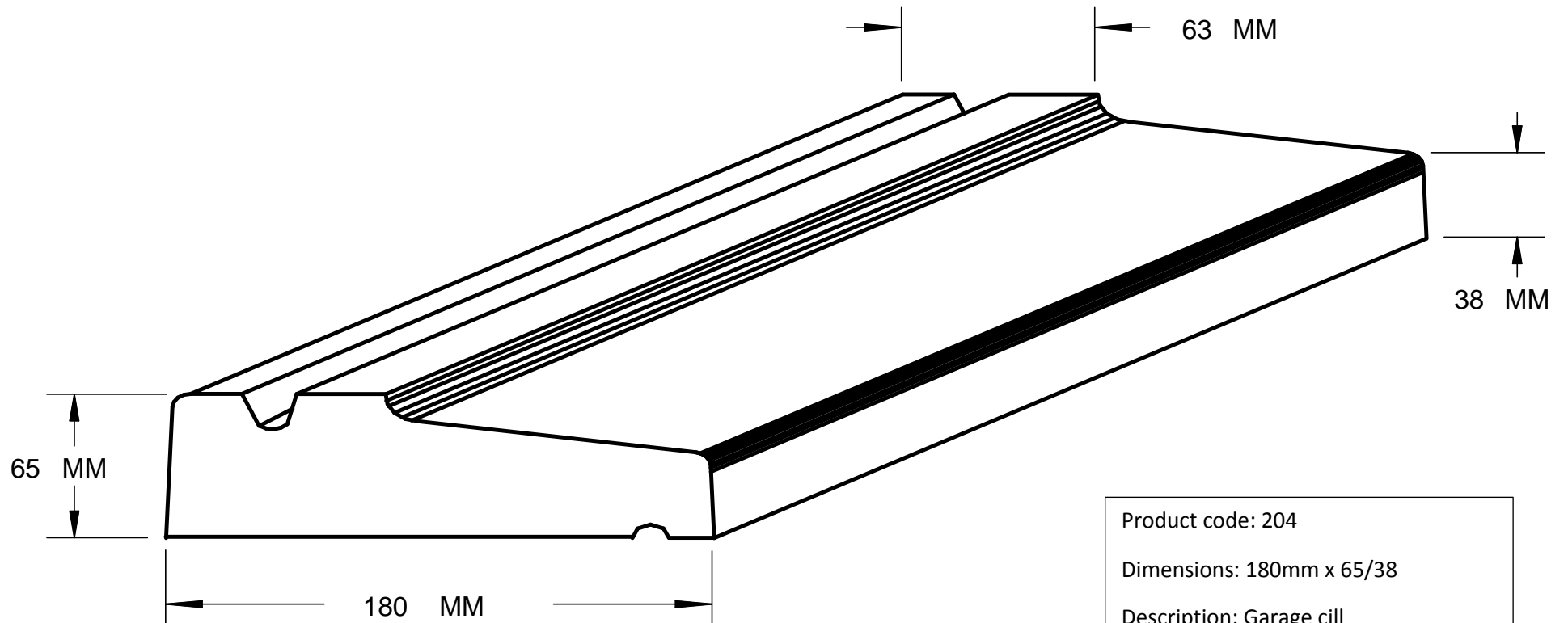


JORDAN
CONCRETE LTD



Product code: 204
Dimensions: 180mm x 65/38
Description: Garage cill
Weight: 23kg/m approx