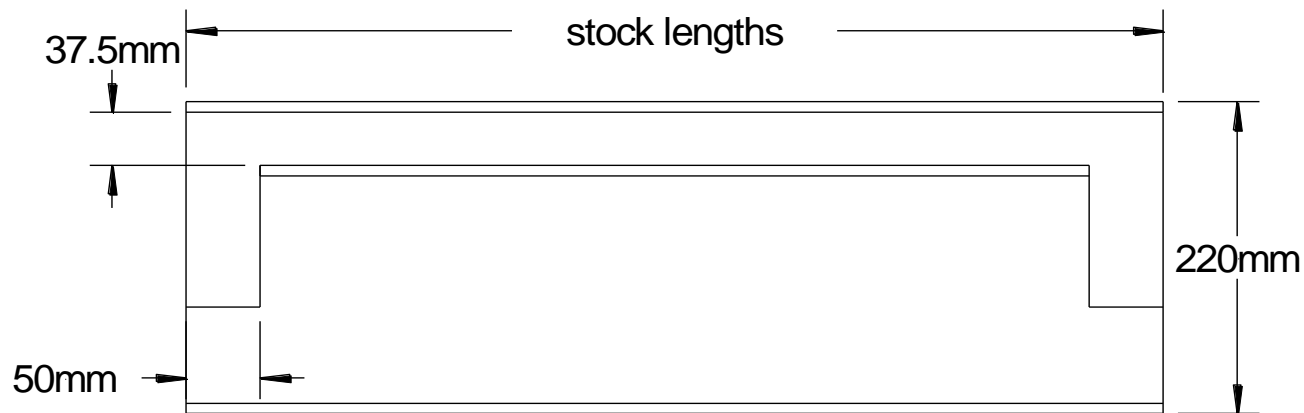
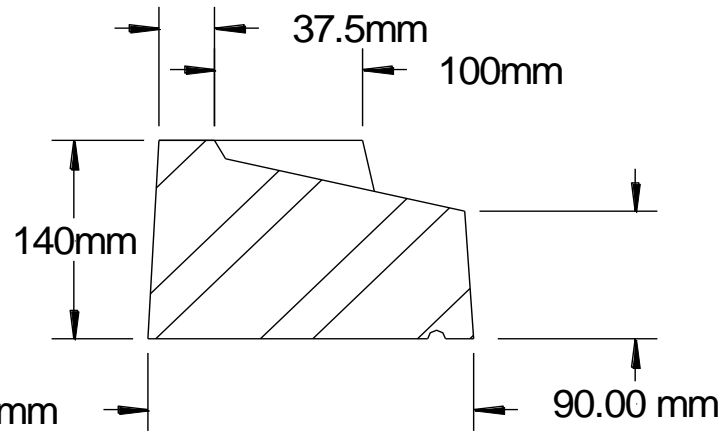


JORDAN CONCRETE LTD



Product code: 206
Dimensions: 50mm stooped cills
Description: 220mm x 140mm/90mm
Weight: 60kg/m approx.