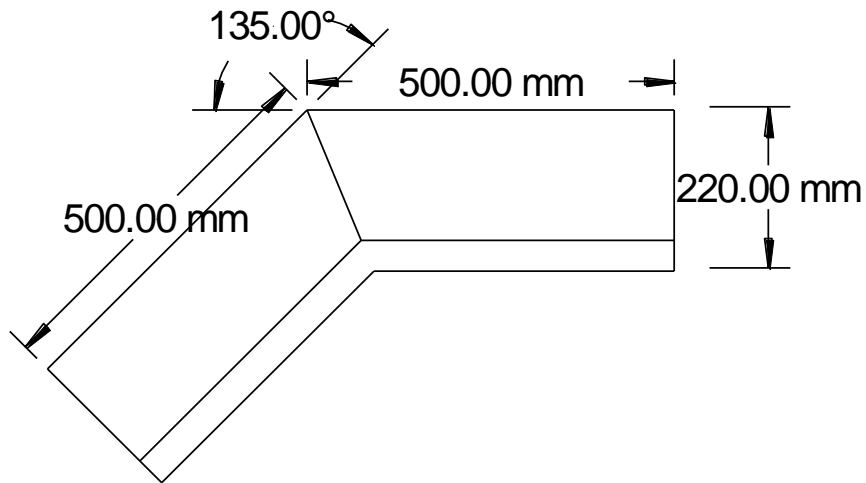


JORDAN CONCRETE LTD

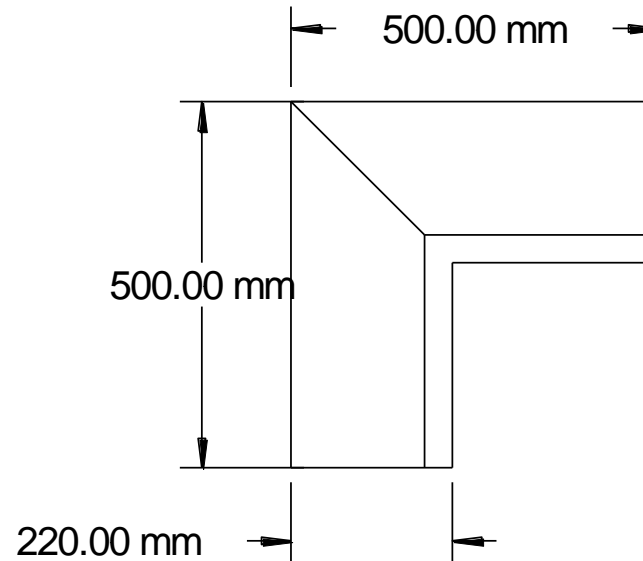


Product code: 223

Dimensions: 500mm x 500mm

Description: 90° Corner for 90mm std cills

Weight: 25kg/m approx



Product code: 224

Dimensions: 500mm x 500mm

Description: 135° Corner for 90mm std cills

Weight: 25kg/m approx