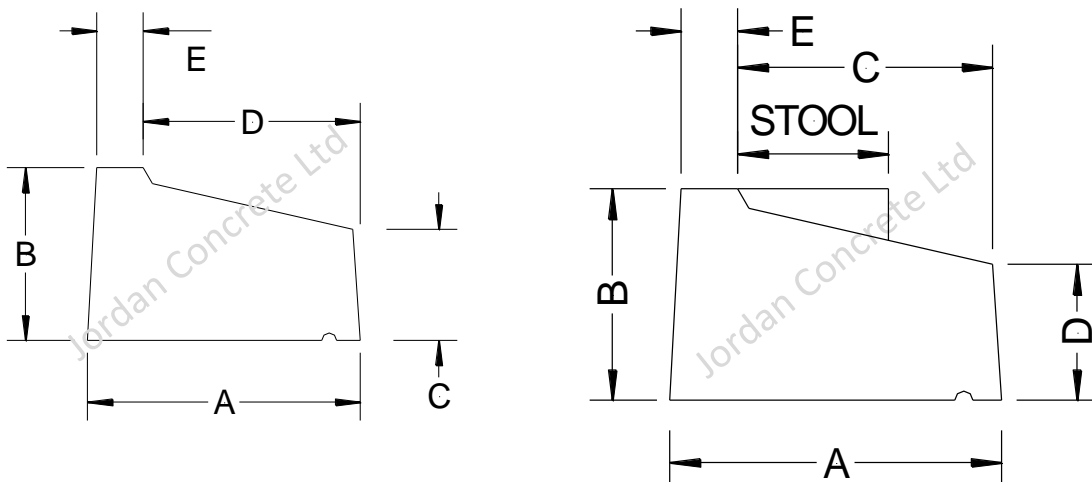


# Window Cills

Code	Product	Width (A)	Back (B)	Projection (C)	Front Face (D)	Upstand Width (E)	Weight Per/M	Max Length
201	Standard 'Slim line'	220	65	175	45	38	27Kg	2550
202	65mm Front	220	100	175	65	38	40Kg	2550
203	2 Course Cills <i>Suits timber frame</i>	220	140	175	90	38	63Kg	3000
204	Garage Cills	180	65	115	38	63	23Kg	2100
Code	Product	Width (A)	Back (B)	Projection (C)	Front Face (D)	Upstand Width (E)	Weight Per/M	Max Length
<b>Cills To Suit Brickwork</b>								
206	50mm Stool Cills	220	140	175	90	38	60Kg	2790
207	100mm Stool Cills	220	140	175	90	38	60Kg	2460
Code	Product	Width (A)	Back (B)	Projection (C)	Front Face (D)	Upstand Width (E)	Weight Per/M	Max Length
<b>Wider Cills For Stonework</b>								
211	305 Rehab Cills	305	100	215	86	80	68Kg	2400
211/375	375 Rehab Cills	375	100	260	86	80	82Kg	2400
212	255 'Fernhill Stone' Cill	255	140	210	90	38	77Kg	2400
213	320 Wide Cills	320	140	270	90	38	88Kg	2550
214	435 Wide Cills	435	140	390	90	38	120Kg	2550
216	390 Wide Cills	390	140	285	90	112	105Kg	2600
217	450 Wide Cills	450	140	340	90	92	125Kg	2500
218	490 Wide Cills	490	140	385	90	100	135Kg	2400



**For Stock & Availability Please contact the office**

Jordan Concrete Ltd.  
10 Sheepwalk Road, Lisburn, County Antrim, BT28 3RD

Tel: (028) 92 648 648

Email: [info@jordanconcrete.co.uk](mailto:info@jordanconcrete.co.uk)

Website: [jordanconcrete.co.uk/cills/](http://jordanconcrete.co.uk/cills/)

# Window Cills

Code	Product	To Suit	Weight Approx	Max Length
221	90° Corner	90mm Front Cill Product Code 203	60kg	500x500
222	135° Corner			
223	90° Corner	Standard Cill 'Slim Line' Product Code 201	25kg	
224	135° Corner			
225	Return Cill	90mm Front Cill Product Code 203	63kg Per/M	2300

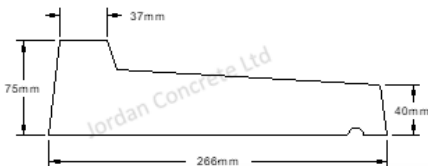
## Bespoke Cills

Bespoke Cills can be made to customer's design.

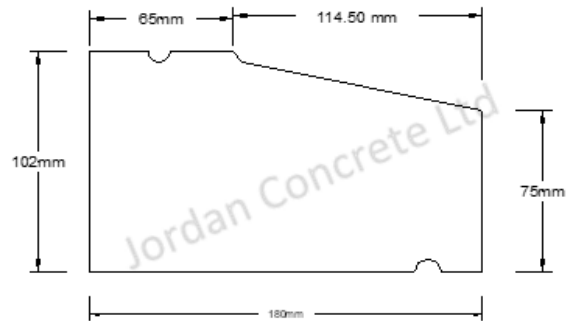
Below are past projects of Bespoke made cills which can be found at on our website-

<https://jordanconcrete.co.uk/bespoke-precast/>

Wide Slim Line Cill



Deep Garage Cill



**For Stock & Availability Please contact the office**

Jordan Concrete Ltd.  
 10 Sheepwalk Road, Lisburn, County Antrim, BT28 3RD

Tel: (028) 92 648 648

Email: [info@jordanconcrete.co.uk](mailto:info@jordanconcrete.co.uk)

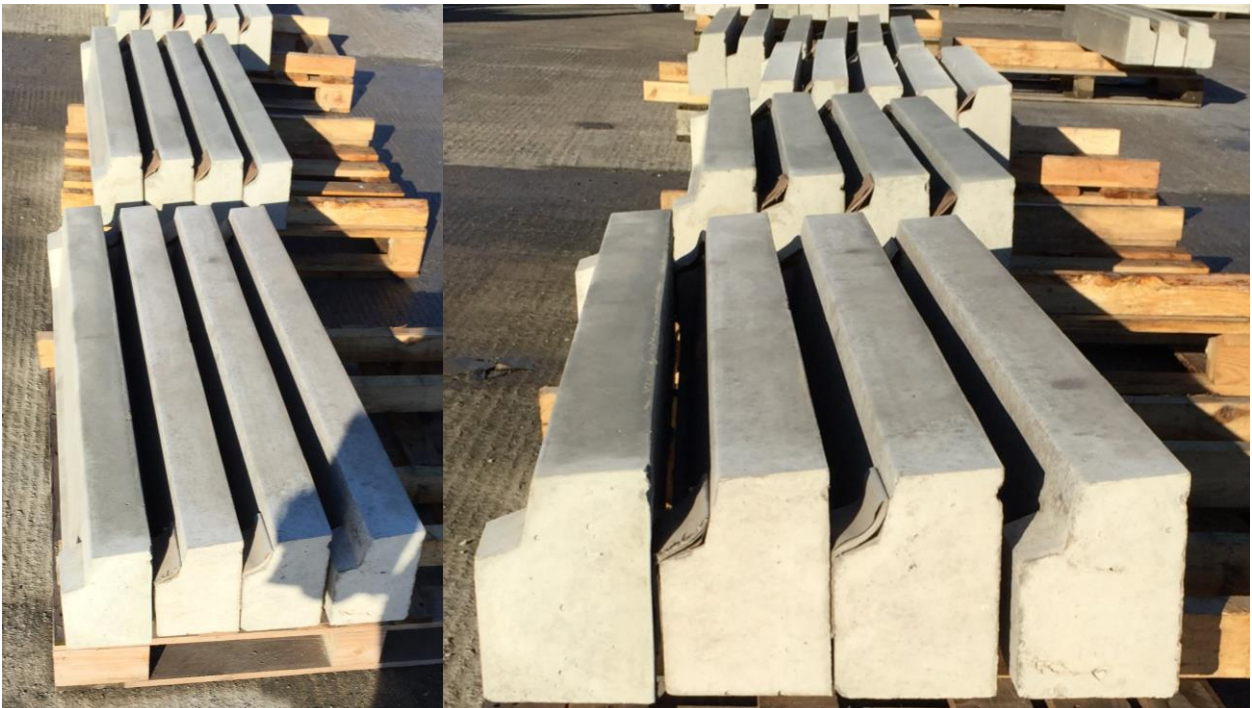
Website: [jordanconcrete.co.uk/cills/](https://jordanconcrete.co.uk/cills/)

## Window Cills

90mm Front Cills



100mm Stooled Cills



**For Stock & Availability Please contact the office**

Jordan Concrete Ltd.

10 Sheepwalk Road, Lisburn, County Antrim, BT28 3RD

Tel: (028) 92 648 648

Email: [info@jordanconcrete.co.uk](mailto:info@jordanconcrete.co.uk)

Website: [jordanconcrete.co.uk/cills/](http://jordanconcrete.co.uk/cills/)